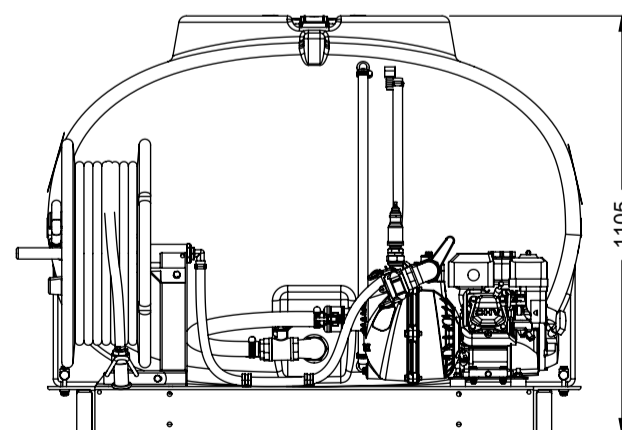
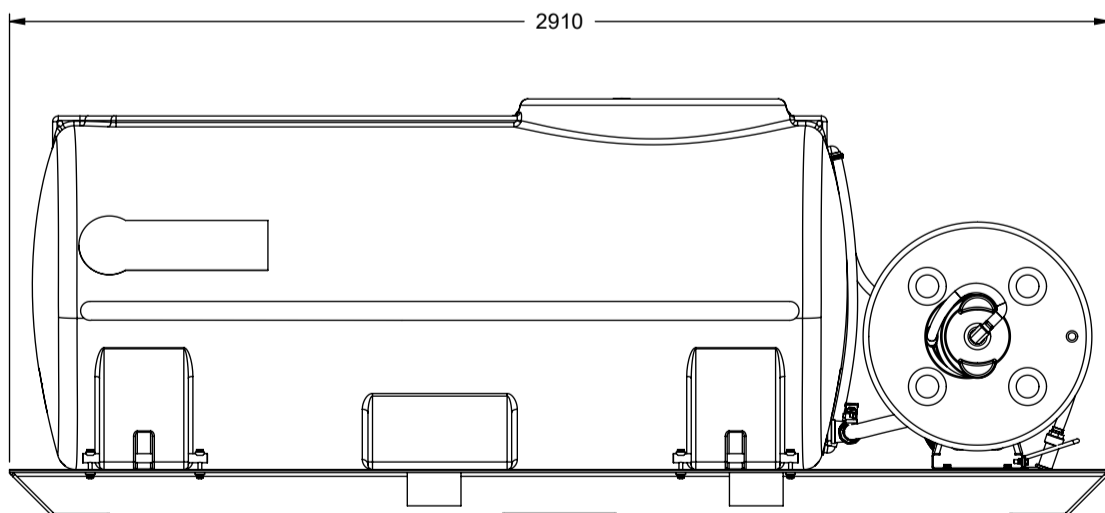
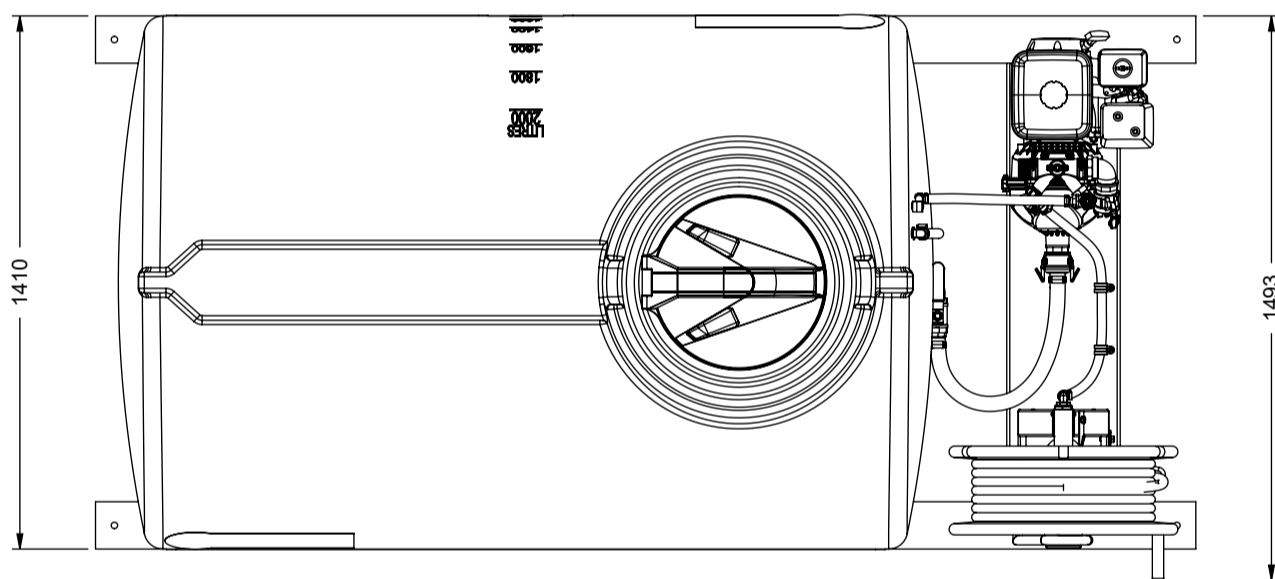
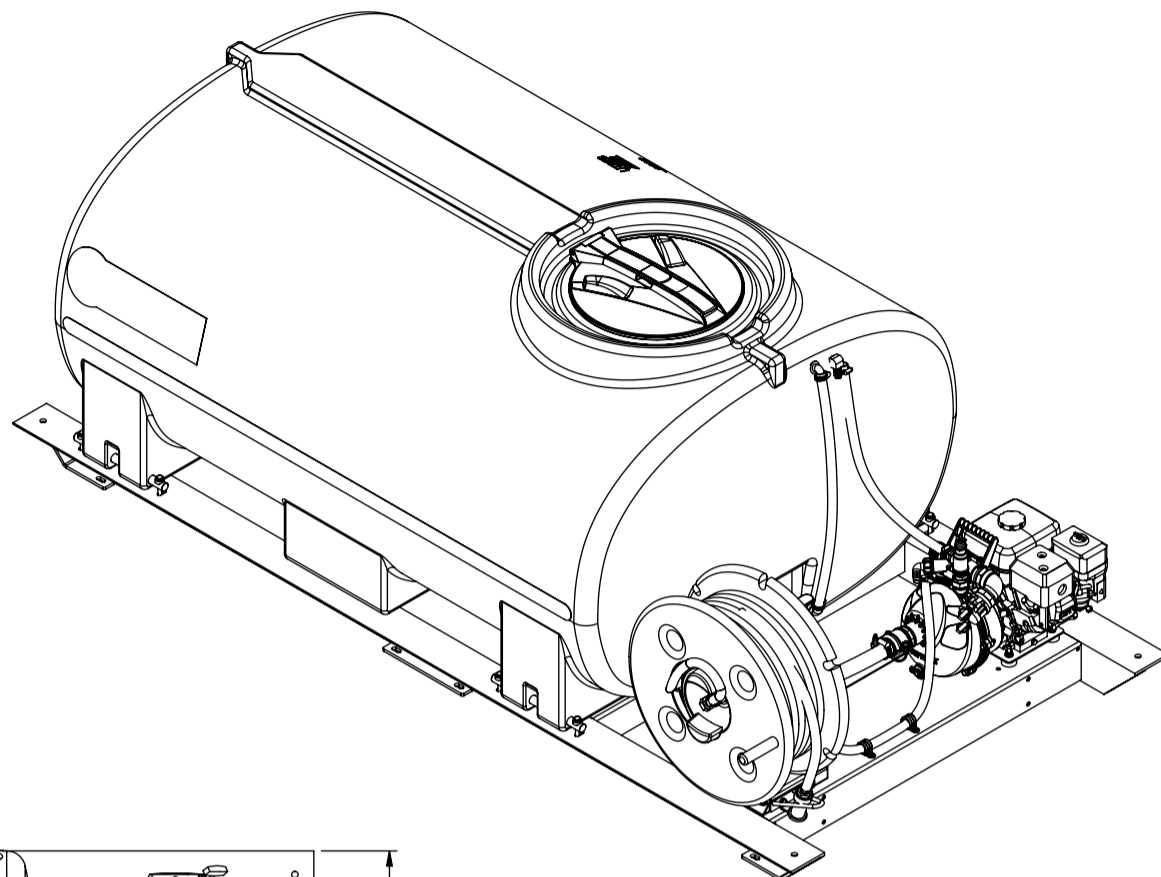




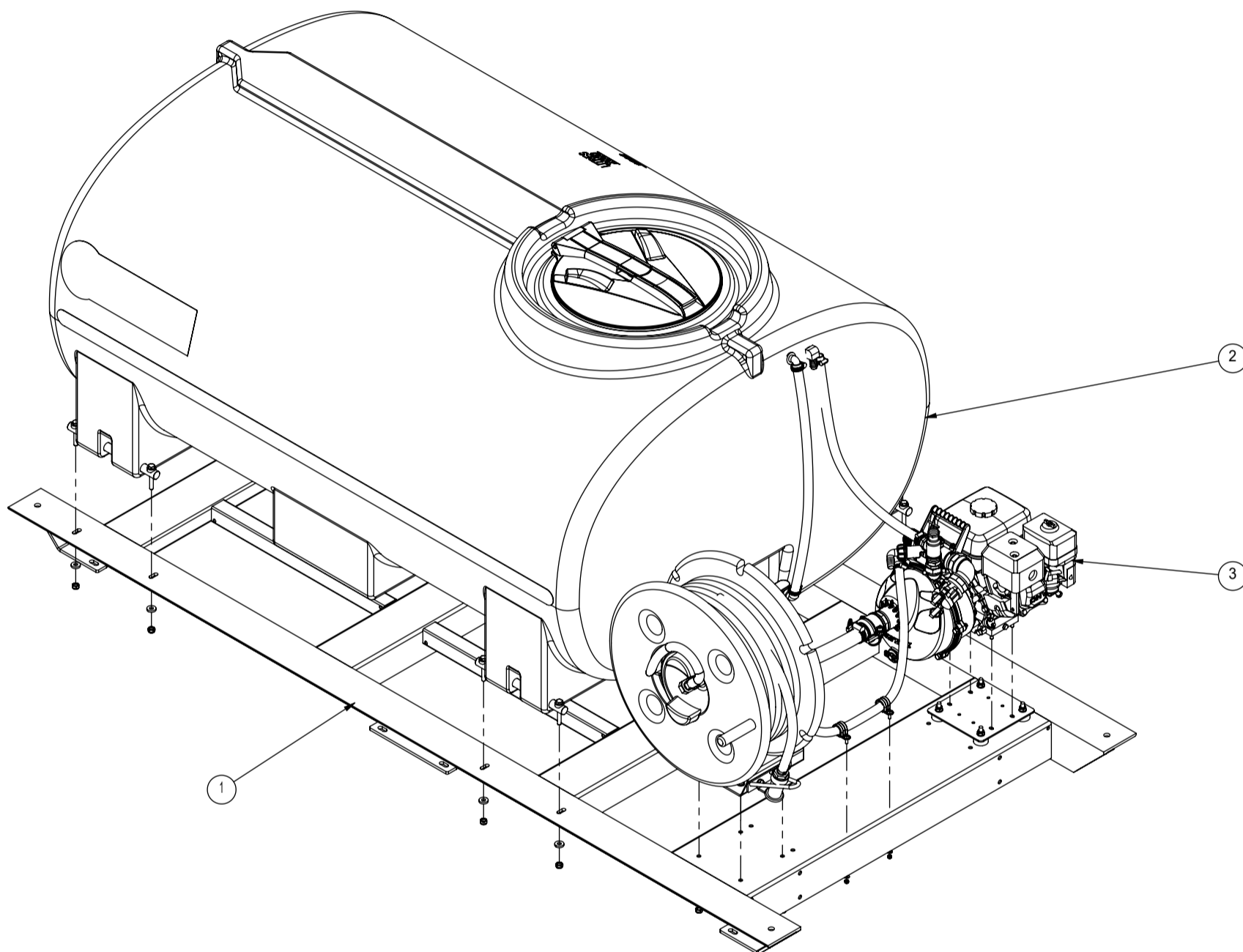
Part No. :	I-00799
Description :	2000L AquaPath Unit - Honda GX200
Build Date :	
Version :	AV1
Weight :	285.53 kg

Drawn by :	ED
Drawn Date :	23/11/2020
Checked by :	JP
Approved by :	BO/JH



Part No. : I-00799  
 Description : 2000L AquaPath Unit - Honda GX200  
 Build Date : \_\_\_\_\_  
 Version : AV1  
 Weight : 285.53 kg

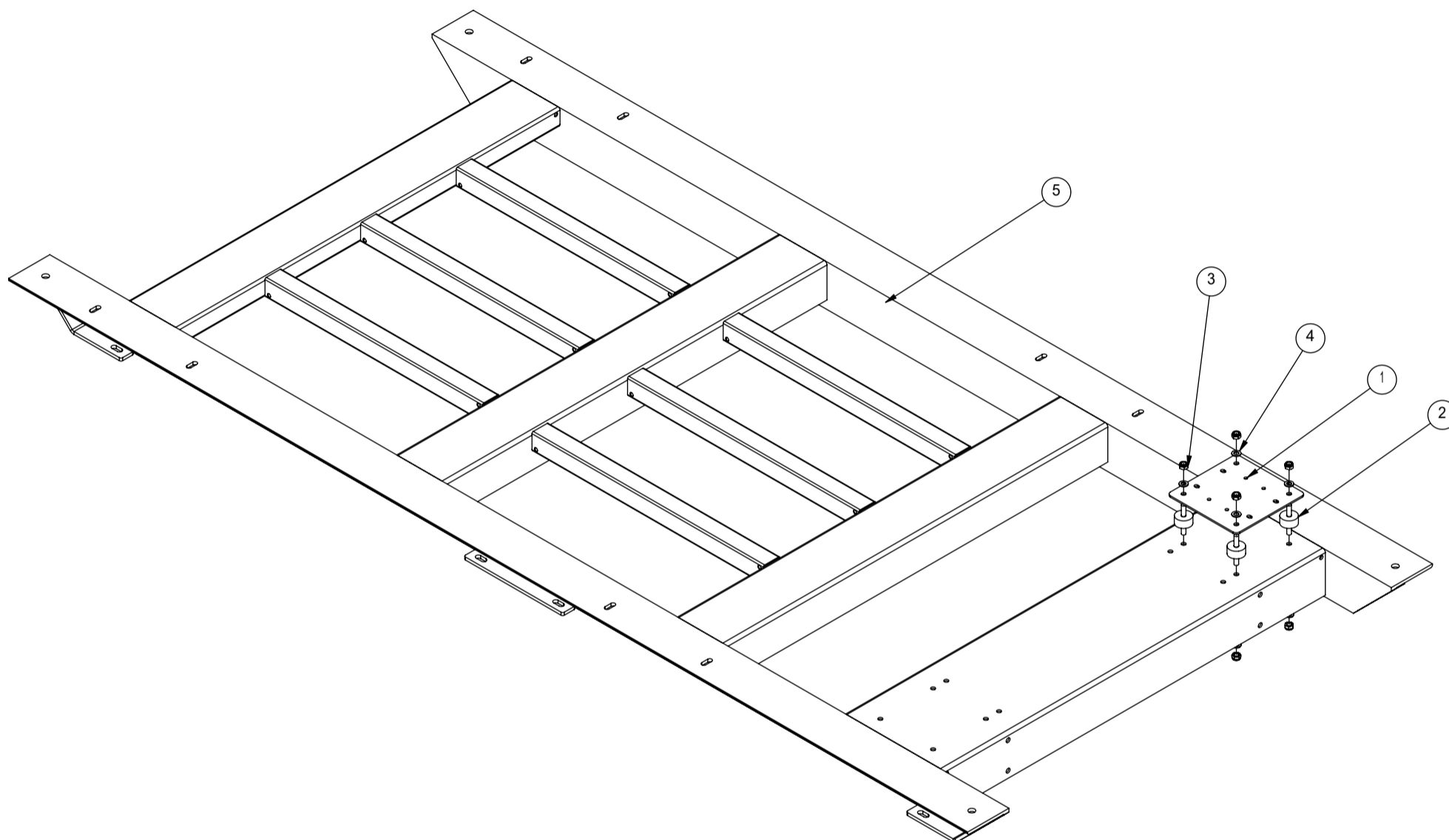
Drawn by : ED  
 Drawn Date : 23/11/2020  
 Checked by : JP  
 Approved by : BO/JH



ITEM NO.	PartNo	DESCRIPTION	QTY.
1	I-00799-01	Frame Assembly	1
2	I-00799-02	Tank Assembly	1
3	I-00799-03	Pump-Reel Assembly	1

Part No. : I-00799  
Description : 2000L AquaPath Unit - Honda GX200  
Build Date : \_\_\_\_\_  
Version : AV1  
Weight : 285.53 kg

Drawn by : ED  
Drawn Date : 23/11/2020  
Checked by : JP  
Approved by : BO/JH



ITEM NO.	PartNo	DESCRIPTION	MATERIAL SIZE	QTY.
1	I-07929	Honda Pump Plate (new)	210x4.0 FLAT_LG 210	1
2	I-08117	Engine Damper 40mmx20mmx20mm M10	STD	4
3	I-04294	Nut Nyloc, M10, ZP	STD	8
4	I-04298	Washer Flat, 10mm Round, ZP	STD	8
5	I-00888	Steel frame 2000L 2400L FS tanks	AS DETAILED	1

Part No. : I-00799-01  
 Description : Frame Assembly  
 Build Date : \_\_\_\_\_  
 Version : AV1  
 Weight : 116.36 kg

Drawn by : ED  
 Drawn Date : 4/06/2021  
 Checked by : JP  
 Approved by : BO/JH

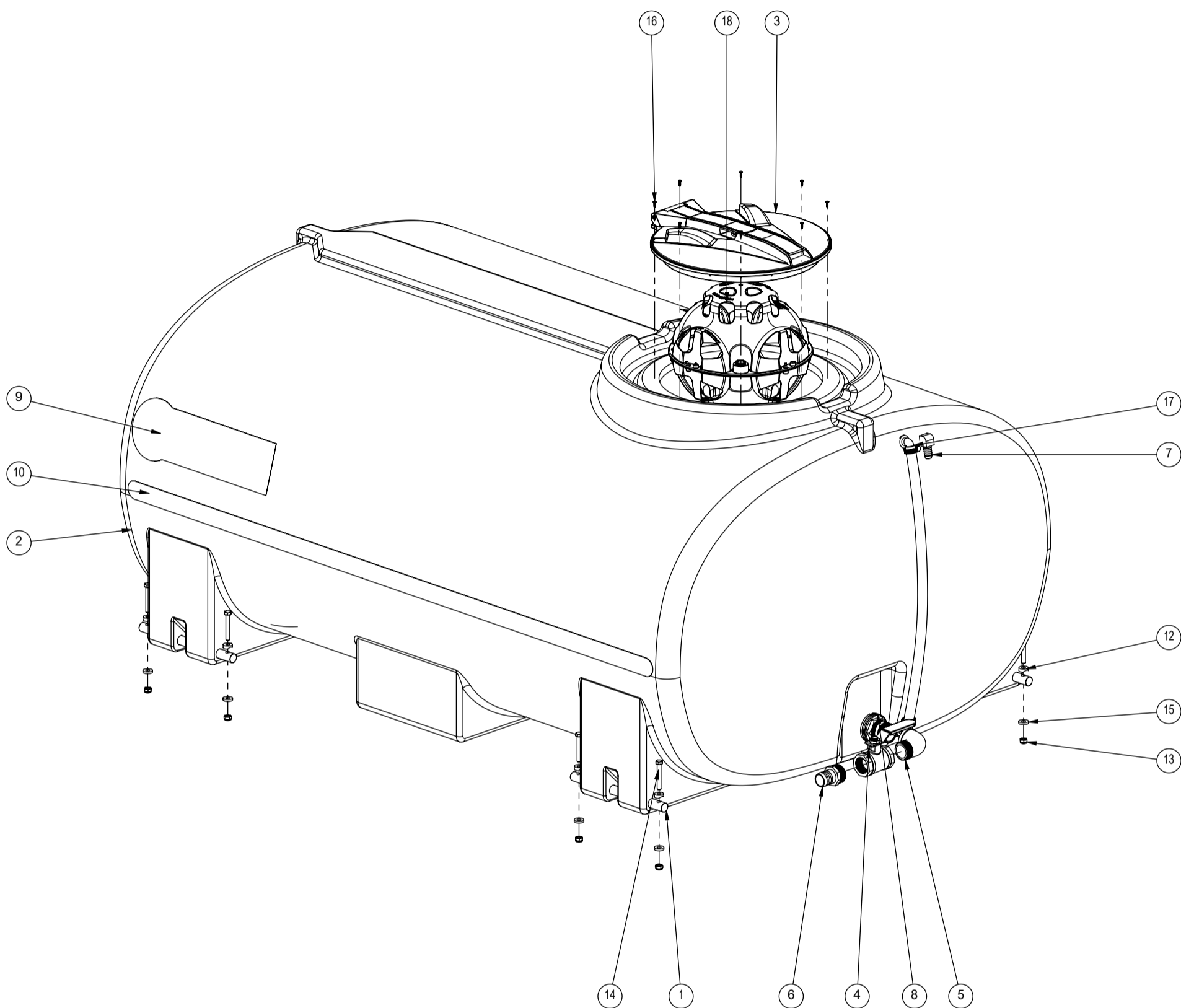


**AUSTRALIA'S #1 AUTHORITY IN LIQUID TRANSPORT PRODUCTS**

Document Preview	PartNo	Description	MATERIAL SIZE	Qty
	I-07929	Honda Pump Plate (new)	210x4.0 FLAT_LG 210	1
	I-08117	Engine Damper 40mmx20mmx20mm M10	STD	4
	I-04294	Nut Nyloc, M10, ZP	STD	8
	I-04298	Washer Flat, 10mm Round, ZP	STD	8
	I-00888	Steel frame 2000L 2400L FS tanks	AS DETAILED	1

Part No. : I-00799-01  
 Description : Frame Assembly  
 Build Date : \_\_\_\_\_  
 Version : AV1  
 Weight : 116.36 kg

Drawn by : ED  
 Drawn Date : 4/06/2021  
 Checked by : JP  
 Approved by : BO/JH










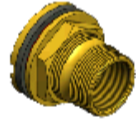




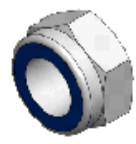
ITEM NO.	PartNo	DESCRIPTION	MATERIAL SIZE	QTY.
1	I-00195	Mounting pin 24 x 330mm	AS DETAILED	4
2	I-05145	2000L Free Standing Tank - SG	AS DETAILED	1
3	I-00199	450mm hinge lid compL with rim & seal	STD	1
4	I-01183	40mm 1 1/2 lever Ball valve F/F	STD	1
5	I-03552	Elbow, 40mm, 316 Stainless steel, 90 Degree, MF	STD	1
6	I-03193	Brass lump end   1-1/2	STD	1
7	I-03571	Male Elbow, Brass, 3/4 Hose Barb x 3/4 BSP	STD	1
8	I-00183	1 1/2" Brass Tank Fitting	STD	1
9	I-07307	Label - AquaPath - Large	161.421x500mm	2
10	I-03919	White Reflective Tape 50mmX45.7mtr roll	1.8MTR	1
11	I-03919	White Reflective Tape 50mmX45.7mtr roll	1.8MTR	1
12	I-09752	Saddle Washer to Suit - 24mm Pins	AS DETAILED	8
13	I-04294	Nut Nyloc, M10, ZP	STD	8
14	I-05243	Bolt M10 x 70mm, ZP	STD	8
15	I-09517	Spacer 25mm Dia 11mm Hole 5mm High	STD	8
16	I-05429	Screw, Counter Sink, #8 x 3/4, Stainless	STD	8
17	I-00718	Tank level kit complete - Retail Kit	ASSY	1
18	I-09506	Liquid Locker baffle ball   380mm	STD	53

Part No. : I-00799-02  
 Description : Tank Assembly  
 Build Date : \_\_\_\_\_  
 Version : AV1  
 Weight : 137.75 kg

Drawn by : ED  
 Drawn Date : 4/06/2021  
 Checked by : JP  
 Approved by : BO/JH



**AUSTRALIA'S #1 AUTHORITY IN LIQUID TRANSPORT PRODUCTS**

Document Preview	PartNo	Description	MATERIAL SIZE	Qty
	I-00195	Mounting pin 24 x 330mm	AS DETAILED	4
	I-05145	2000L Free Standing Tank - SG	AS DETAILED	1
	I-00199	450mm hinge lid compl with rim & seal	STD	1
	I-01183	40mm 1 1/2 lever Ball valve F/F	STD	1
	I-03552	Elbow, 40mm, 316 Stainless steel, 90 Degree, M	STD	1
	I-03193	Brass lump end   1-1/2	STD	1
	I-03571	Male Elbow, Brass, 3/4Hose Barb x 3/4BSP	STD	1
	I-00183	1 1/2 Brass Tank Fitting	STD	1
	I-07307	Label - AquaPath - Large	161.421x500mm	2
	I-03919	White Reflective Tape 50mmX45.7mtr roll	1.8MTR	1
	I-03919	White Reflective Tape 50mmX45.7mtr roll	1.8MTR	1
	I-09752	Saddle Washer to Suit - 24mm Pins	AS DETAILED	8
	I-04294	Nut Nyloc, M10, ZP	STD	8

Part No. : I-00799-02  
 Description : Tank Assembly  
 Build Date : \_\_\_\_\_  
 Version : AV1  
 Weight : 137.75 kg

Drawn by : ED  
 Drawn Date : 4/06/2021  
 Checked by : JP  
 Approved by : BO/JH



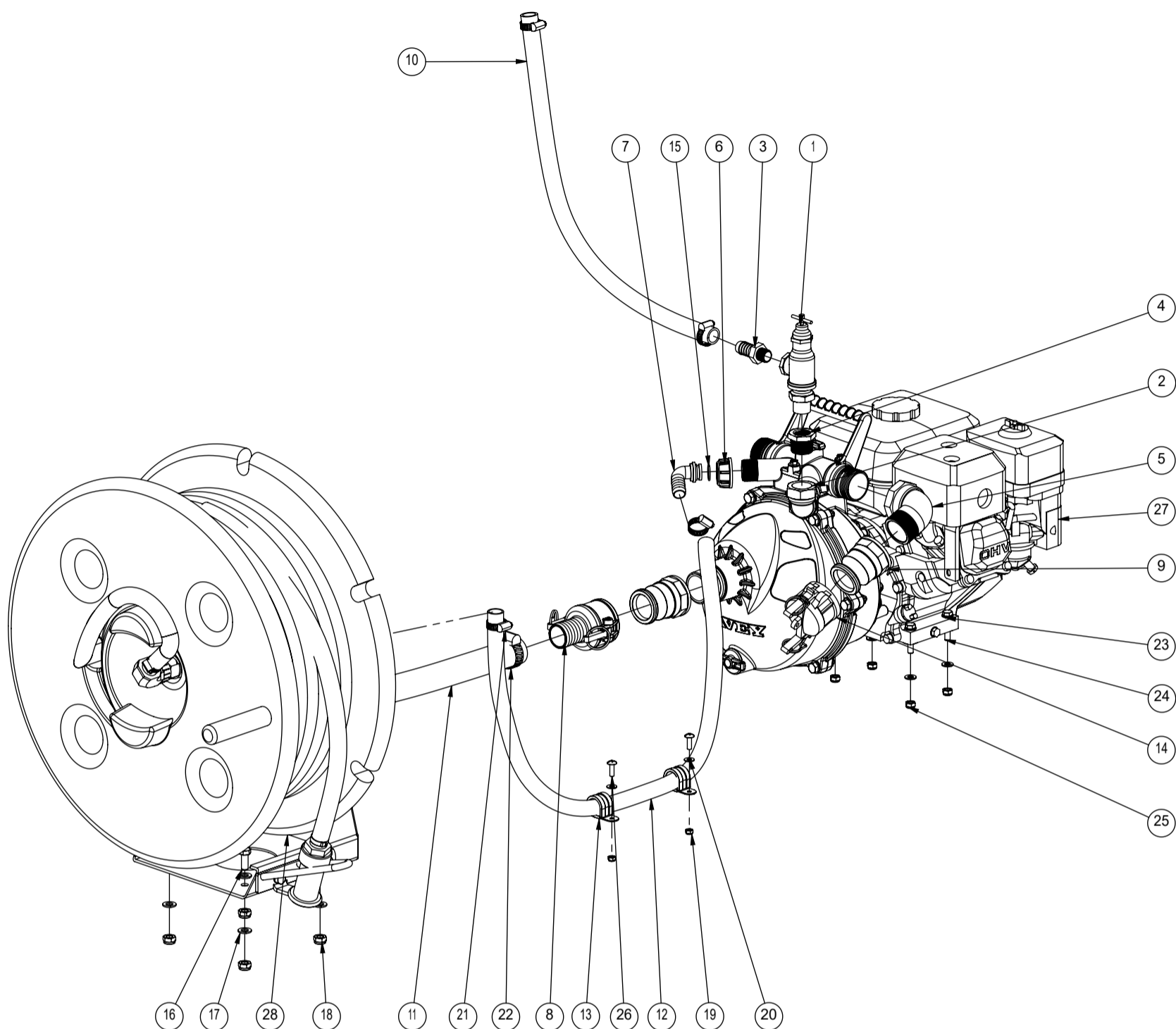
**AUSTRALIA'S #1 AUTHORITY IN LIQUID TRANSPORT PRODUCTS**

Document Preview	PartNo	Description	MATERIAL SIZE	Qty
	I-05243	Bolt M10 x 70mm, ZP	STD	8
	I-09517	Spacer 25mm Dia 11mm Hole 5mm High	STD	8
	I-05429	Screw, Counter Sink, #8 x 3/4, Stainless	STD	8
	I-00718	Tank level kit complete - Retail Kit	ASSY	1
	I-09506	Liquid Locker baffle ball   380mm	STD	53

Part No. : I-00799-02  
 Description : Tank Assembly  
 Build Date : \_\_\_\_\_  
 Version : AV1  
 Weight : 137.75 kg

Drawn by : ED  
 Drawn Date : 4/06/2021  
 Checked by : JP  
 Approved by : BO/JH








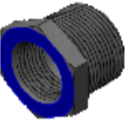










ITEM NO.	PartNo	DESCRIPTION	MATERIAL SIZE	QTY.
1	I-01187	Pressure Relief Valve 3/4 Nylon - FF	STD	1
2	I-03330	Elbow, Nyglass, Female, 1 BSPT, 230 psi	STD	1
3	I-04476	Male Tail, Straight, 3/4 BSP Male Thread	STD	1
4	I-03451	Bush, Reducing, Nyglass, 1 Male x 3/4 f	STD	1
5	I-03314	Elbow, Nyglass, Male x Female, 1-1/2 BSP	STD	1
6	I-03487	1 Inch BSP Fly Nut	STD	1
7	I-03130	1 to 3/4 barb elbow	STD	1
8	I-00187	1 1/2 Camlock C 38mm hose tail	STD	1
9	I-00188	1 1/2 Camlock Type A - F Thread	STD	2
10	I-00672	Hose   PVC Suct, Deliv   Potable Food Grade 19mm	0.8MTR	1
11	I-04186	Suction Hose - 38mm Black Flexible	1.5MTR	1
12	I-05375	Fire Reel Hose - 20mm	1.3MTR	1
13	I-04346	Pipe Retaining Clamp, 27mm, Rubber Lined	STD	2
14	I-00189	1 1/2 Camlock Cap to Suit M Adaptor	STD	1
15	I-03947	O-Ring, Gasket, 1 Fly Nut Fitting, 20.2m	STD	1
16	I-05466	Bolt M10 x 25mm, Gr8.8, ZP	STD	4
17	I-04298	Washer Flat, 10mm Round, ZP	STD	8
18	I-04294	Nut Nyloc, M10, ZP	STD	4
19	I-05245	Nyloc Nut - 1/4 UNC ZP	STD	2
20	I-04296	Flat Washer, 6mm, Zinc Plated, Round	STD	2
21	I-04325	Hose Clamp   16-27mm Worm Drive	STD	4
22	I-04326	Hose Clamp 30-45mm Worm Drive	STD	2
23	I-04297	Washer Flat, 8mm Round, ZP	STD	8
24	I-04352	Bolt M8 x 40mm, ZP	STD	4
25	I-04293	Nut Nyloc, M8, ZP	STD	4
26	I-05455	Bolt Roofing BSW, 1/4 x 3/4", Combination	STD	2
27	I-06850	Davey Twin Impellor Pump   GX200 Recoil	STD	1
28	I-00805	Poly Hose Reel 36m 19mm Hose	AS DETAILED	1

Part No. : **I-00799-03**  
 Description : **Pump-Reel Assembly**  
 Build Date : \_\_\_\_\_  
 Version : **AV1**  
 Weight : **31.42 kg**

Drawn by : **ED**  
 Drawn Date : **4/06/2021**  
 Checked by : **JP**  
 Approved by : **BO/JH**



**AUSTRALIA'S #1 AUTHORITY IN LIQUID TRANSPORT PRODUCTS**

Document Preview	PartNo	Description	MATERIAL SIZE	Qty
	I-01187	Pressure Relief Valve 34 Nylon-FF	STD	1
	I-03330	Elbow, Nyglass, Female, 1 BSPT, 230 psi	STD	1
	I-04476	Male Tail, Straight, 3/4 BSP Male Thread	STD	1
	I-03451	Bush, Reducing, Nyglass, 1 Male x 3/4 f	STD	1
	I-03314	Elbow, Nyglass, Male x Female, 1 1/2 BSP	STD	1
	I-03487	1 Inch BSP Fly Nut	STD	1
	I-03130	1 to 3/4 barb elbow	STD	1
	I-00187	1 1/2 Camlock C 38mm hose tail	STD	1
	I-00188	1 1/2 Camlock Type A - F Thread	STD	2
	I-00672	Hose-PVC Suct, Deliv_ Potable Flood Grade 19mm	0.8MTR	1
	I-04186	Suction Hose - 38mm Black Flexible	1.5MTR	1
	I-05375	Fire Reel Hose-20mm	1.3MTR	1
	I-04346	Pipe Retaining Clamp, 27mm, Rubber Lined	STD	2
	I-00189	1 1/2 Camlock Cap to Suit M Adaptor	STD	1

Part No. : I-00799-03  
 Description : Pump-Reel Assembly  
 Build Date : \_\_\_\_\_  
 Version : AV1  
 Weight : 31.42 kg

Drawn by : ED  
 Drawn Date : 4/06/2021  
 Checked by : JP  
 Approved by : BO/JH



**AUSTRALIA'S #1 AUTHORITY IN LIQUID TRANSPORT PRODUCTS**

Document Preview	PartNo	Description	MATERIAL SIZE	Qty
	I-03947	O-Ring, Gasket, 1 Fly Nut Fitting, 20.2m	STD	1
	I-05466	Bolt M10 x 25mm, Gr8.8, ZP	STD	4
	I-04298	Washer Flat, 10mm Round, ZP	STD	8
	I-04294	Nut Nyloc, M10, ZP	STD	4
	I-05245	Nyloc Nut - 1/4 UNC ZP	STD	2
	I-04296	Flat Washer, 6mm, Zinc Plated, Round	STD	2
	I-04325	Hose Clamp   16-27mm Worm Drive	STD	4
	I-04326	Hose Clamp 30-45mm Worm Drive	STD	2
	I-04297	Washer Flat, 8mm Round, ZP	STD	8
	I-04352	Bolt M8 x 40mm, Gr8.8, Hi-Tensile	STD	4
	I-04293	Nut Nyloc, M8, ZP	STD	4
	I-05455	Bolt Roofing BSW, 1/4 x 3/4", Combination	STD	2
	I-06850	Davey Twin Impellor Pump   GX200 Recoil	STD	1
	I-00805	Poly Hose Reel 36m 19mm Hose	AS DETAILED	1

Part No. : I-00799-03  
 Description : Pump-Reel Assembly  
 Build Date : \_\_\_\_\_  
 Version : AV1  
 Weight : 31.42 kg

Drawn by : ED  
 Drawn Date : 4/06/2021  
 Checked by : JP  
 Approved by : BO/JH