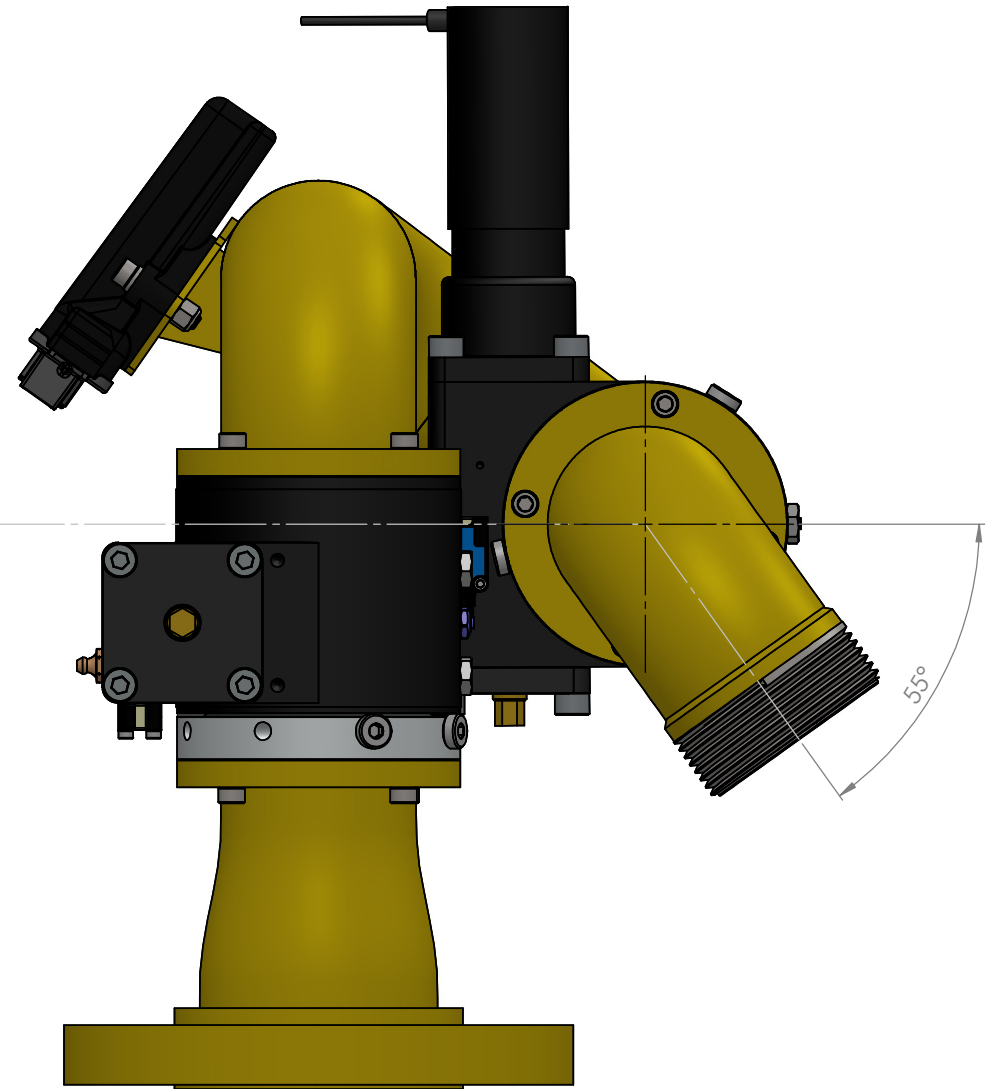
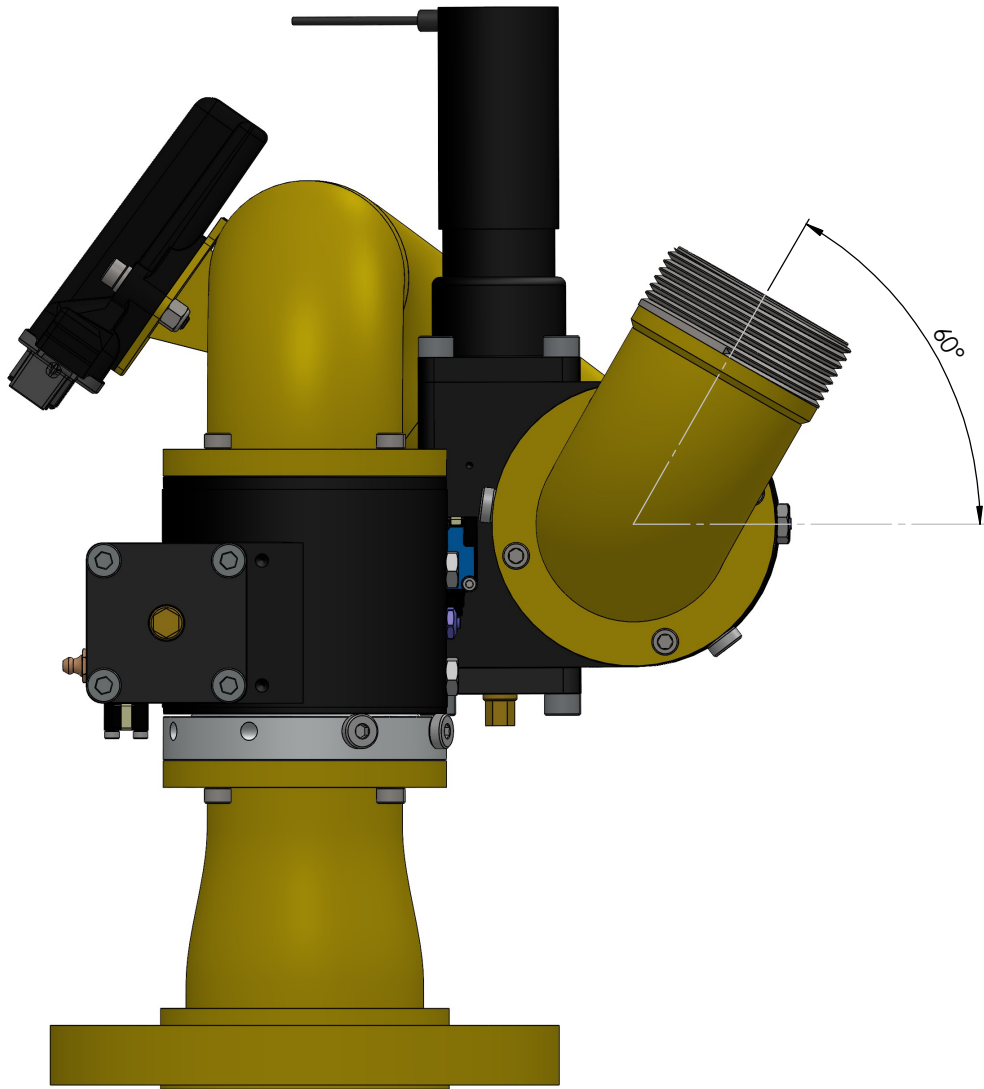



UNLESS OTHERWISE SPECIFIED: DIMENSIONS ARE IN MILLIMETERS GEOMETRICAL DIMENSIONS AND TOLERANCES ACCORDING TO ISO2768		FINISH:		DEBURR AND BREAK SHARP EDGES		DO NOT SCALE DRAWING		REVISION	
DRAWN ALBERTO		DATE 10/01/2023		SIGNED		TITLE: ELECTRIC WATER CANNON		DWG NO. E360XD-65-MK1	
CHK'D		APPV'D SIMON		DATE 10/01/2023		MATERIAL:		SCALE: 1:2	
MFG		Q.A		WEIGHT:		SHEET 1 OF 7		A3	



ELEVATION MOVEMENT UP IS PRE-SET TO 60° AND MOVEMENT
DOWN IS PRE-SET TO 55°

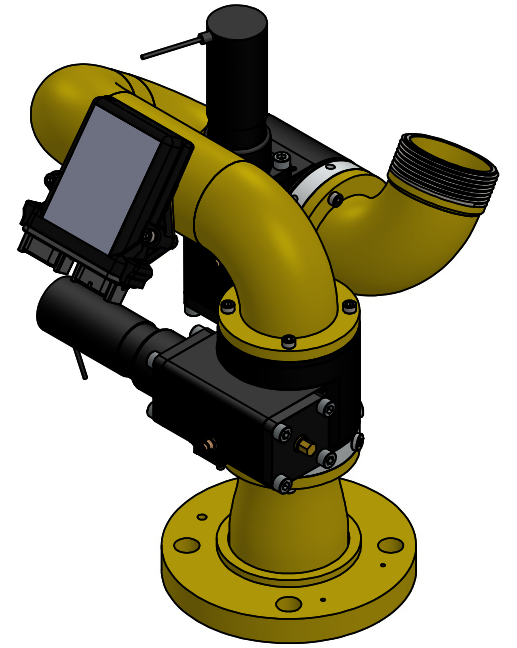
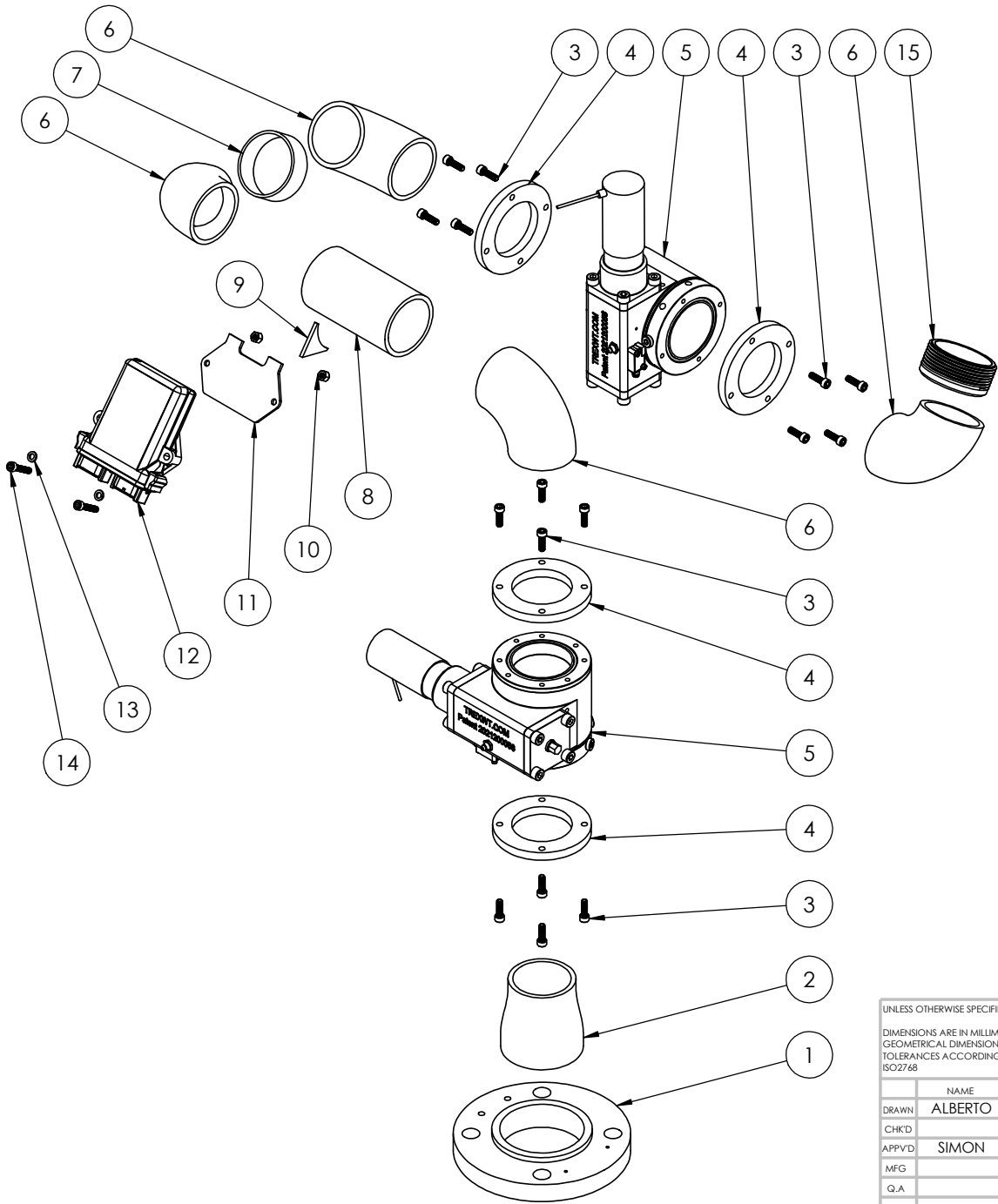
SLEW MOVEMENT IS PRE-SET TO 300°

UNLESS OTHERWISE SPECIFIED:		FINISH:		DEBURR AND BREAK SHARP EDGES		DO NOT SCALE DRAWING		REVISION	
DIMENSIONS ARE IN MILLIMETERS GEOMETRICAL DIMENSIONS AND TOLERANCES ACCORDING TO ISO2768						 T-REX WATER TRUCKS			
DRAWN	ALBERTO	DATE	10/01/2023	SIGNED		TITLE: ELECTRIC WATER CANNON			
CHK'D									
APPV'D	SIMON	DATE	10/01/2023						
MFG									
Q.A					MATERIAL:				
					WEIGHT:				
						DWG NO. E360XD-65-MK1		A3	
						SCALE: 1:2		SHEET 2 OF 7	

8 7 6 5 4 3 2 1

F
E
D
C
B
A

F
E
D
C
B
A



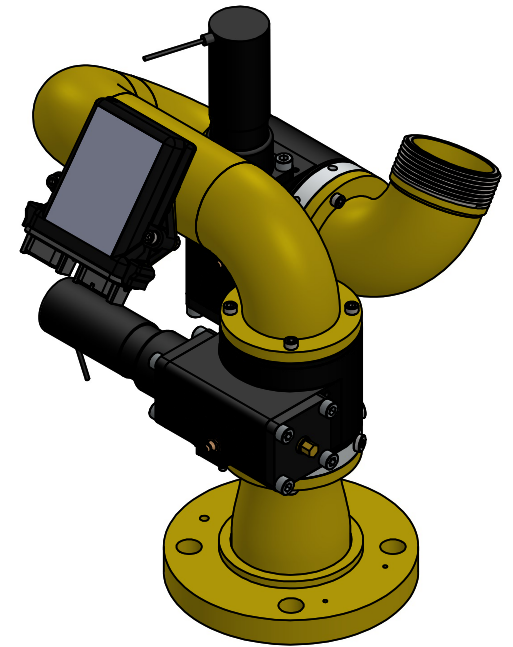
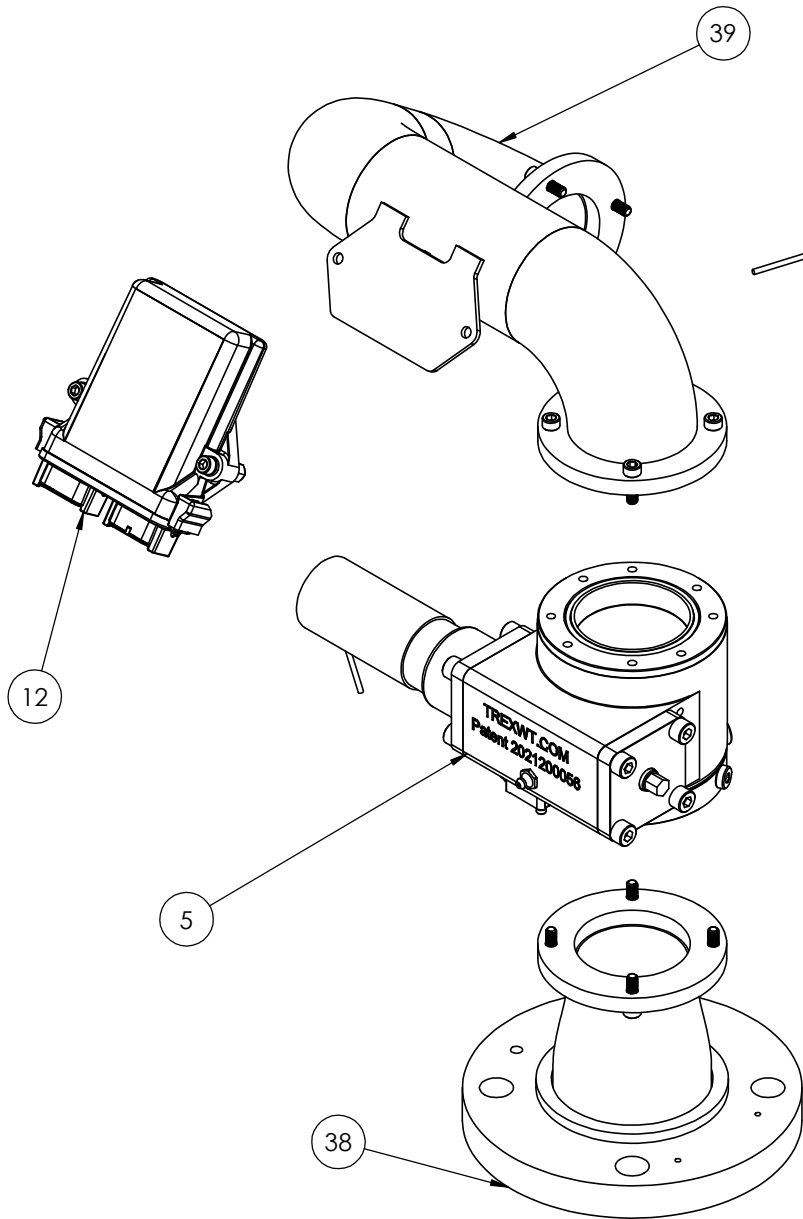
UNLESS OTHERWISE SPECIFIED: DIMENSIONS ARE IN MILLIMETERS GEOMETRICAL DIMENSIONS AND TOLERANCES ACCORDING TO ISO2768		FINISH:		DEBURR AND BREAK SHARP EDGES		DO NOT SCALE DRAWING		REVISION	
DRAWN		DATE		SIGNED		TITLE:		A3	
CHK'D		10/01/2023				T-REX WATER TRUCKS			
APPV'D		10/01/2023				ELECTRIC WATER CANNON			
MFG						DWG NO.			
Q.A						E360XD-65-MK1			
						SCALE: 1:5		SHEET 3 OF 7	
						WEIGHT:			

8 7 6 5 4 3 2 1

8 7 6 5 4 3 2 1

F
E
D
C
B
A

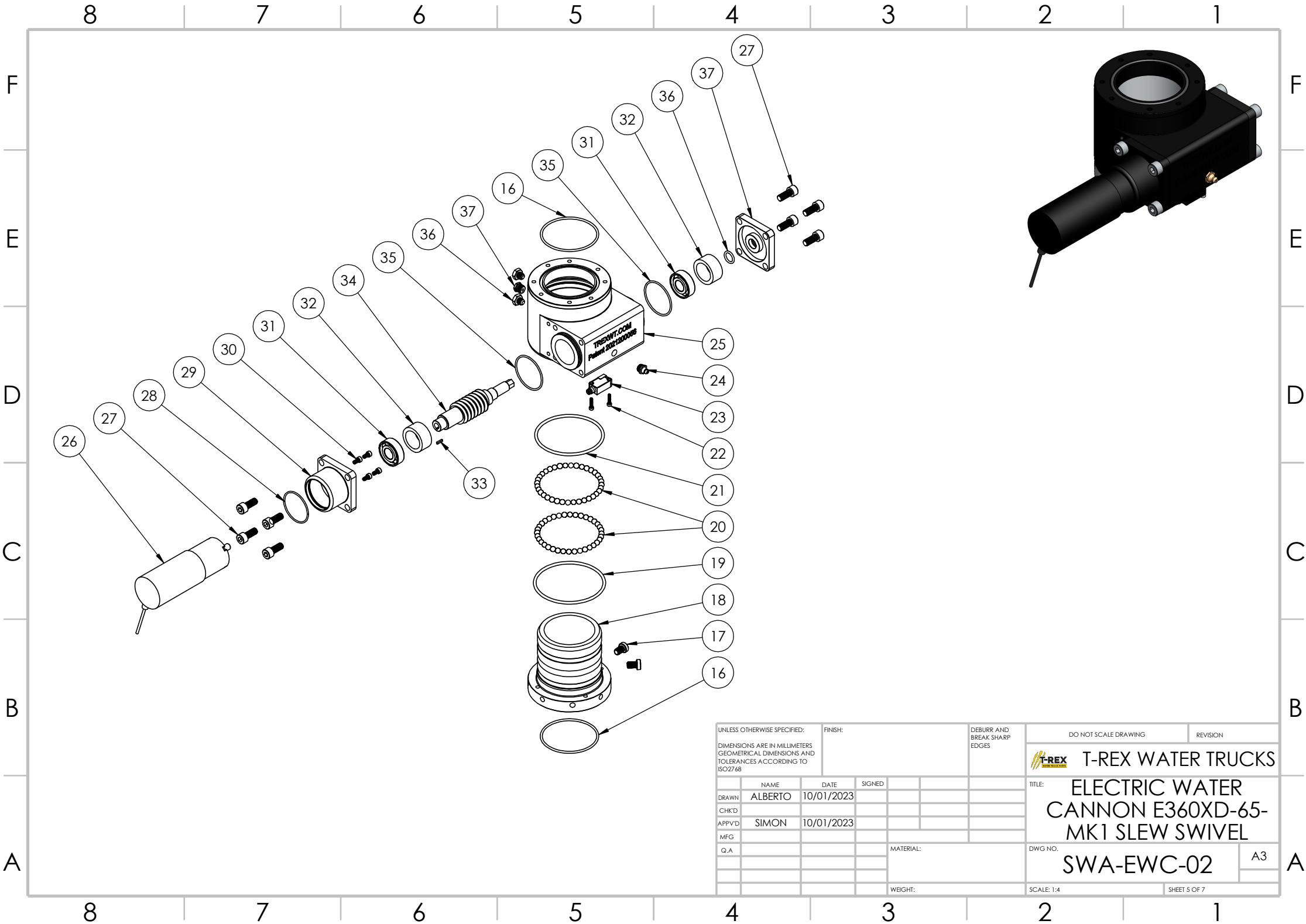
F
E
D
C
B
A



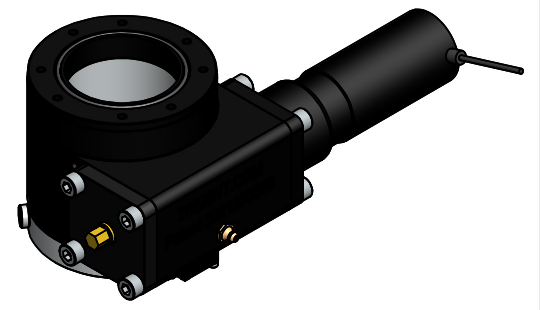
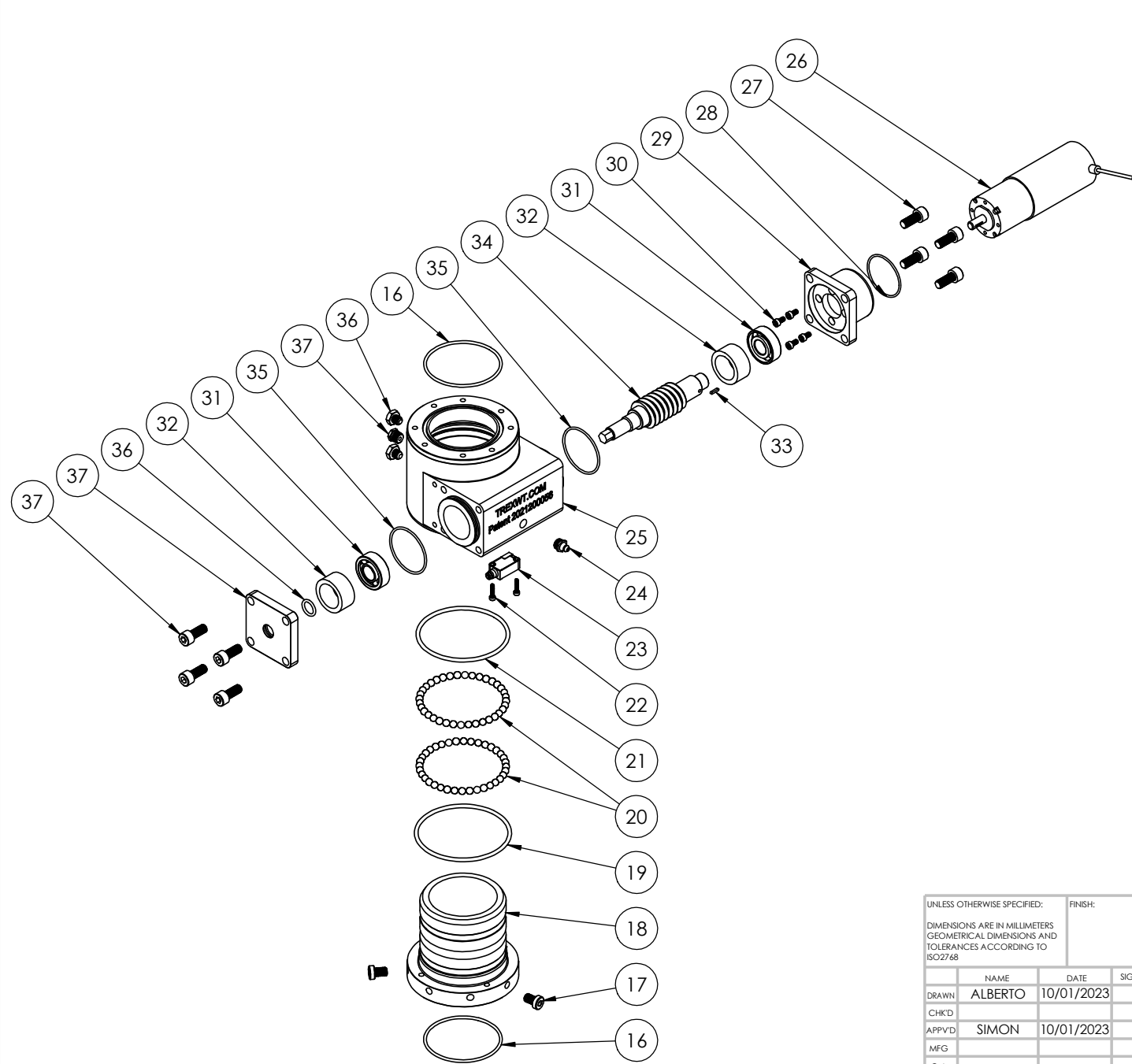
ITEM NO.	PART NUMBER	DESCRIPTION	QTY.
38	BOA-PWC-01	BOTTOM ASSEMBLY	1
5	SWA-EWC-02	SWIVEL ASSEMBLY-MK2	2
39	MIA-EWC-01	MIDDLE ASSEMBLY	1
12	WC-E360XD-MCM	ELECTRIC CONTROL SYSTEM	1
40	TOA-PWC-01	TOP ASSEMBLY	1

UNLESS OTHERWISE SPECIFIED: DIMENSIONS ARE IN MILLIMETERS GEOMETRICAL DIMENSIONS AND TOLERANCES ACCORDING TO ISO2768		FINISH:	DEBURR AND BREAK SHARP EDGES	DO NOT SCALE DRAWING	REVISION
NAME	DATE	SIGNED			
DRAWN	ALBERTO	10/01/2023			
CHK'D					
APP'VD	SIMON	10/01/2023			
MFG					
Q.A			MATERIAL:		
			WEIGHT:		
			T-REX WATER TRUCKS		
			TITLE: ELECTRIC WATER CANNON		
			DWG NO. E360XD-65-MK1		A3
			SCALE: 1:3		SHEET 4 OF 7

8 7 6 5 4 3 2 1




UNLESS OTHERWISE SPECIFIED: DIMENSIONS ARE IN MILLIMETERS GEOMETRICAL DIMENSIONS AND TOLERANCES ACCORDING TO ISO2768		FINISH:		DEBURR AND BREAK SHARP EDGES		DO NOT SCALE DRAWING		REVISION	
DRAWN		DATE		SIGNED		TITLE:		A3	
CHK'D		10/01/2023				T-REX WATER TRUCKS ELECTRIC WATER CANNON E360XD-65- MK1 SLEW SWIVEL			
APPV'D		10/01/2023				DWG NO.		SWA-EWC-02	
MFG						SCALE: 1:4		SHEET 5 OF 7	
Q.A				MATERIAL:		WEIGHT:			



UNLESS OTHERWISE SPECIFIED: DIMENSIONS ARE IN MILLIMETERS GEOMETRICAL DIMENSIONS AND TOLERANCES ACCORDING TO ISO 2768		FINISH:		DEBURR AND BREAK SHARP EDGES		DO NOT SCALE DRAWING		REVISION	
NAME	DATE	SIGNED				T-REX WATER TRUCKS			
DRAWN	ALBERTO	10/01/2023				TITLE: ELECTRIC WATER CANNON E360XD-65- MK1 ELEVATION SWIVEL			
CHK'D						DWG NO.			
APPV'D	SIMON	10/01/2023				SWA-EWC-02			A3
MFG					MATERIAL:	SCALE: 1:4			
Q.A					WEIGHT:	SHEET 6 OF 7			

ITEM NO.	PART NUMBER	DESCRIPTION	QTY.
16	Z-WCP-6038	69.52X2.62 FACE O-RING	4
17	Z-HW-M8X12LHSCSSS304	M8X12X1.25 LOW PROFILE SOCKET HEAD CAP SCREW	4
18	Z-ER-01	ELECTRIC SWIVEL ROTARY	2
19	Z-WCP-OR85.32X3.53	85.32X3.53 LARGE SWIVEL O-RING	2
20	Z-7863-6.5	6.5mm SWIVEL BALL (38 PER GAP)	152
21	Z-WCP-82.14X3.53	82.14X3.53 SMALL SWIVEL O-RING	2
22	Z-HW-M3X14SHCSSS304	M3x14x0.5 SOCKET HEAD CAP SCREW	4
23	WCP-XDIS	LIMIT SENSOR	2
24	Z-GN-18	STRAIGHT 1/8" GREASE NIPPLE BSPT	1
25	Z-SWH-01	SWIVEL HOUSING	2
26	10019	BELMONT ELECTRIC MOTORMK2	2
27	Z-HW-M8X20SHCSSS304	M8X20X1.25 SOCKET HEAD CAP SCREW	16
28	10058	MOUNT MK2 O-RING 41X1.78mm	2
29	10046	MOTOR MOUNT MK2	2
30	Z-WCP-OR45X2	45X2 SWIVEL O-RING	6
31	WCP-WB	WATER CANNON WORM BEARING	4
32	Z-WCP-SPA-01	WATER CANNON WORM SPACER	4
33	10059	PARALLEL ROUNDED FEATHER KEY 2X2X10mm	2
34	10047	MK2 WORM	2
35	Z-WCP-OR45X2	45X2 SWIVEL O-RING	4
36	Z-WCP-M8X8.05BBLSSS316	M8X8.05X1.25 BALL BEARING LOCKING SCREW	4
37	Z-ARV	PNEUMATIC RELIEF FITTING 1/8"	2

ITEM NO.	PART NUMBER	DESCRIPTION	QTY.
1	PF-F-ANSI-150LB-080	3" ANSI FLANGE 150LB	1
2	PF-RSC08050	3" TO 2 1/2" CONCENTRIC CONE REDUCER	1
3	Z-HW-M6X20SHCSSS304	M6X20X1 SOCKET HEAD CAP SCREW	20
4	Z-WCP-6005	2 1/2" FLANGE WELD ON	4
5	SWA-EWC-02	ELECTRIC SWIVEL ASSEMBLY-MK2	2
6	PF-ESLS90	90° SHORT RADIUS ELBOW	4
7	Z-WCP-25ST	25 mm STUB	1
8	Z-WCP-126.5ST	126.5 mm STUB	1
9	Z-WCP-MG01	MODULE GUSSET	1
10	Z-WCP-M6LNSS304	M6 LOCKNUT	2
11	Z-WCP-MB01	MODULE BRACKET	1
12	Z-WCP-CMB01	CONTROL MODULE BOX	1
13	Z-HW-M6FWSS304	M6X1.8 FLAT WASHER	2
14	Z-HW-M6X30SHCSSS304	M6X30X1 SOCKET HEAD CAP SCREW	2
15	Z-6006-MS	2 1/2" NH THREAD STAINLESS STEEL	1

UNLESS OTHERWISE SPECIFIED: DIMENSIONS ARE IN MILLIMETERS GEOMETRICAL DIMENSIONS AND TOLERANCES ACCORDING TO ISO2768		FINISH:		DEBURR AND BREAK SHARP EDGES		DO NOT SCALE DRAWING		REVISION	
DRAWN ALBERTO		DATE 26/09/2022		SIGNED		 T-REX WATER TRUCKS			
CHK'D		APPV'D SIMON		DATE 26/09/2022		TITLE: ELECTRIC WATER CANNON E360XD-65- MK1 BOM			
MFG		Q.A.		MATERIAL:		DWG NO.		A3	
				WEIGHT:		E360XD-65-MK1		SCALE: 1:3 SHEET 7 OF 7	