



KITS



PUMPS



METERS



METERED NOZZLES



NOZZLES



WASTE OIL EQUIPMENTS

# AIR/WATER HOSE REEL

## FEATURES

- STURDY METALLIC STRUCTURE
- ANTI-FREEZE VERSION
- BENDING PROTECTION

The PIUSI AIR/WATER HOSE REEL is an automatic closed hose reel for air/water. It comes with a sturdy metallic cabinet that ensures any possible corruption of the inner components. It is ready to be fitted on the wall or into an open cabinet.

## PERFORMANCE

MAX

**20 BAR**

OPERATING PRESSURE

**12/15M**

HOSE LENGTH



CLOSED AIR/WATER HOSE REEL



## PACKAGING

CODE	WEIGHT		PACKAGING			N.BOXES/ EUROPALLET	
	KG	LBS	MM	PCS/PALLET	PCS/BOX		
<b>WITH HOSE</b> HC20121400A	6	13,2	380X180X270	15X7,1X10,6		1	20
HC201511200A	6	13,2	380X180X270	15X7,1X10,6		1	20



FILTRATION



FLUID MONITORING



TANK MONITORING



HOSE REELS



ACCESSORIES



MERCHANDISE

INDEX



AIR



ANTIFREEZE



AdBlue®



BIODIESEL



DIESEL



FOOD



GASOLINE



GREASE



KEROSENE



OIL



WATER



WINDSCREEN

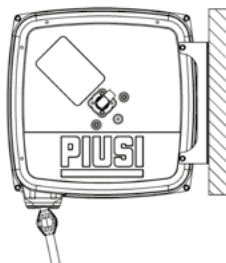
### INSTALLATION

Different ways to install PIUSI's hose reels: they can be easily placed wherever you need them without any problem about functionality and safety. PIUSI's products are without a doubt designed to support your work in any condition.

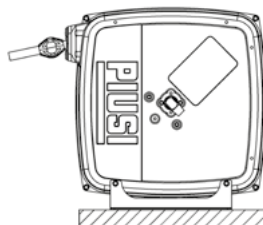
#### ROOF INSTALLATION



#### WALL INSTALLATION

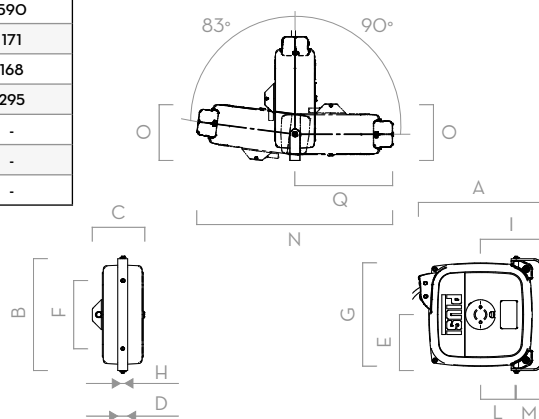


#### GROUND INSTALLATION



### DIMENSIONS

MODEL	CLOSE HOSE REEL	MODEL	CLOSE HOSE REEL
A	374	L	108
B	337	M	79
C	160	N	590
D	30	O	171
E	168.5	P	168
F	205	Q	295
G	312	-	-
H	10.5	-	-
I	187	-	-



Measures expressed in millimeters

### IN THE BOX

- AIR/WATER HOSE REEL
- WALL MOUNT BRACKET
- INSTRUCTION MANUAL

### DETAILS



REVOLVING BRACKET



CONNECTION HOSE



SWIVEL

### MATERIALS

- BODY: CAST IRON
- HUB: SYNTHETED STEEL
- TUBE: RUBBER

### TECHNICAL DATA

CODE	DESCRIPTION	FLUIDS TYPE	HOSE	MAX WORKING PRESSURE	PRESSURE DROP	INLET WITH SWIVEL	OUTLET HOSETAIL	HOSE MAX LENGTH BOUND	HOSE LENGTH
			BSP	BAR	BAR	BSP	BSP	M	M

#### WITH HOSE

HC20121400A	CLOSE REEL 10X14 + 12MT HOSE		10X14	20	-	10 MM	3/4" MALE	-	12
HC201511200A	CLOSE REEL 8X12 + 15MT HOSE		8X12	20	-	8 MM	1/4" MALE	-	15

## AIR/WATER HOSE REEL

CLOSED HOSE REEL