



KITS



PUMPS



METERS



METERED NOZZLES



NOZZLES



WASTE OIL EQUIPMENTS

GREASE HOSE REEL

FEATURES

- HEAVY DUTY SPRING
- HAND PROTECTION (ON REQ.)
- WIDE RANGE OF PRODUCTS
- LONG LASTING
- STEEL HUB
- HIGH PRESSURE

The PIUSI GREASE HOSE REEL is an automatic open hose reel specific for grease. Manufactured accordingly to the most demanding requirements, it is suitable for all grease heavy duty applications.

PERFORMANCE

MAX 400 BAR	15M
OPERATING PRESSURE	HOSE LENGTH



OPEN GREASE HOSE REEL
(hand protection on request)



PACKAGING

CODE	WEIGHT		PACKAGING		
	KG	LBS	MM	PCS/PALLET	PCS/BOX
WITHOUT HOSE					
HN40151400A	14	30,8	550X200X540		1
HN40153800A	14	30,8	550X200X540		1
WITH HOSE					
HA40151400	27	60	550X260X540		1
HA40153800A	25	55	550X260X540		1



FILTRATION



FLUID MONITORING



TANK MONITORING



HOSE REELS



ACCESSORIES



MERCHANDISE

INDEX



AIR



ANTIFREEZE



AdBlue®



BIODIESEL



DIESEL



FOOD



GASOLINE



GREASE



KEROSENE



OIL



WATER

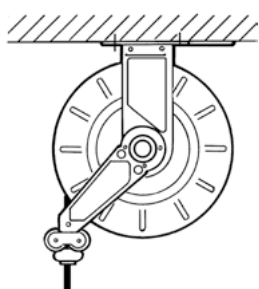


WINDSCREEN

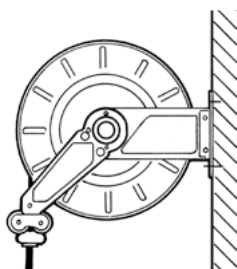
INSTALLATION

Different ways to install PIUSI's hose reels: they can be easily placed wherever you need them without any problem about functionality and safety. PIUSI's products are without a doubt designed to support your work in any condition.

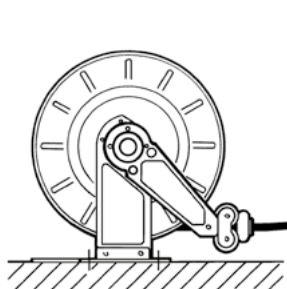
ROOF INSTALLATION



WALL INSTALLATION



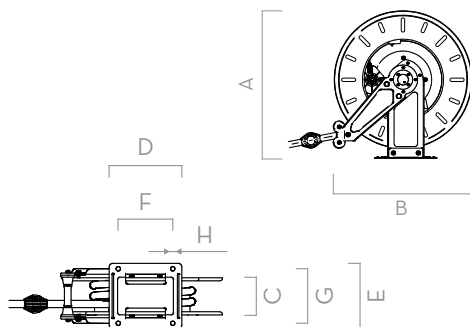
GROUND INSTALLATION



DIMENSIONS

MODEL OPEN HOSE REEL SMALL

A	475
B	460
C	102
D	150
E	196
F	150
G	150
H	12



Dimensions expressed in millimeters

IN THE BOX

- GREASE HOSE REEL
- WALL MOUNT BRACKET
- INSTRUCTION MANUAL

DETAILS



AUTOMATIC HOSE REEL



4 ROLLS HOSE GUIDE



DIFFERENT INSTALLATIONS



PROTECTION ON REQUEST

MATERIALS

- BODY: CAST IRON
- HUB: SYNTHETIC STEEL
- TUBE: RUBBER

TECHNICAL DATA

CODE	DESCRIPTION	FLUIDS TYPE	HOSE	MAX WORKING PRESSURE	PRESSURE DROP	INLET WITH SWIVEL	OUTLET HOSETAIL	HOSE MAX LENGTH BOUND	HOSE LENGTH
			BSP	BAR	BAR	BSP	BSP	M	M
WITHOUT HOSE									
HN40151400A	OPEN HOSE REEL 1/4" + 15MT SMALL	G	1/4"	400	-	1/4" FEMALE	1/4" FEMALE	15	-
HN40153800A	OPEN HOSE REEL 3/8" + 15MT SMALL	G	3/8"	400	-	3/8" FEMALE	3/8" FEMALE	15	-
WITH HOSE									
HA40151400	OPEN HOSE REEL 1/4" + 15MT HOSE SMALL	G	1/4"	400	160 @ 600 GR/MIN*	1/4" FEMALE	1/4" FEMALE	-	15
HA40153800A	OPEN HOSE REEL 3/8" + 15MT HOSE SMALL	G	3/8"	400	140 @ 600 GR/MIN*	3/8" FEMALE	3/8" FEMALE	-	15

(*) PRESSURE DROP FOR GREASE NLGI 2.5 (**) PRESSURE DROP FOR GREASE NLGI 2

GREASE HOSE REEL