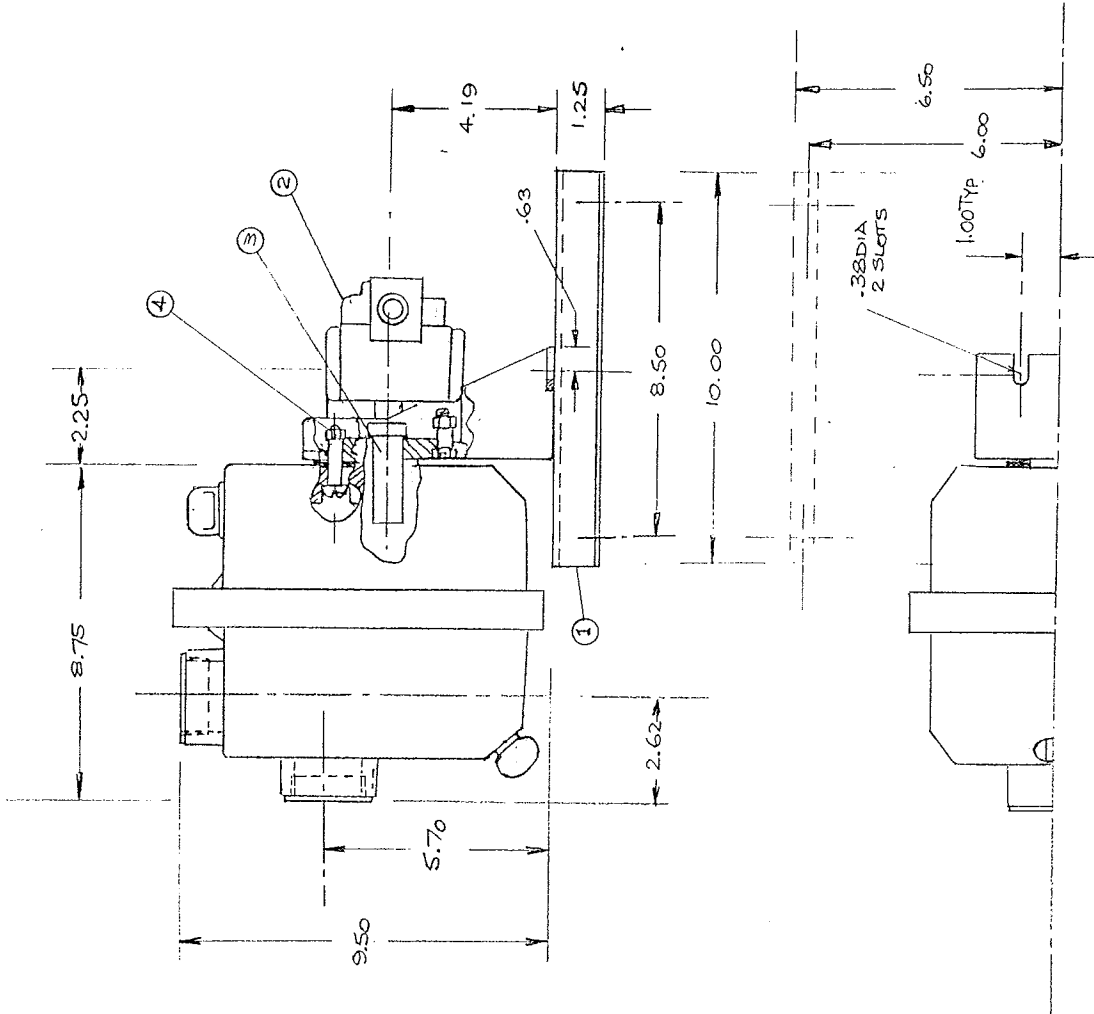


ITEM	PART No.	DESCRIPTION
1	PSB-0929	BASE
2	PSB-0686	HYD. MOTOR
3	PSB-090410	ADAPTOR
4	PSB-0745	NUT - BRGD
5	PSB-072810	SCREW (S.S.PC) 4-RGD
6	PSB-0729	SCREW (4-RGD)



SCALE	ECN	REV	DESCRIPTION	BY	DATE
N/A					
DWN			DATE 9-02-92		
CHD			DATE		
APPD			DATE		
ALL CORNERS TO BE .030 RADIUS MIN. UNLESS OTHERWISE SPECIFIED. ALL DIMENSIONS IN INCHES UNLESS OTHERWISE SPECIFIED. DECIMALS: XX = ±.015 TOLERANCES: .XXX = ±.010					
OSM industries, inc.			LANCASTER, PA		
NAME: I' PUMP / HYD. MOTOR.			WITH KIT 048.		
DWG. NO. SA -101.			REV		