

DS / DSK SEWAGE PUMPS



- Liquid temperature : 0~40°C / 32~104°F
- HP range : 1/2~10HP / 0.4~7.5KW
- PH : 6~8
- Rated Speed : 2900 / 3450 rpm
- Protection class : IP68
- Maximum depth : 8M

Features

1. Double mechanical seal can extend lifetime.
2. Rubber bearing sleeve prevents water leak in.
3. The cutter is made of tungsten steel.

Applications

1. Industrial sewage discharge
2. Environmental protection system
3. Optional pedestal

Specification

50Hz

Model No.	Output		Outlet		Pass Solid Dia(mm)	Max Flow(LPM)	LPM Flow @ Head					Max Head(M)	Weight Kg
	HP	KW	mm	inch			3M	6M	9M	12M	15M		
DS(K)-05	1/2	0.4	50	2"	15	270	240	165	45	-	-	10	18
DS(K)-10	1	0.75	50	2"	15	420	400	330	240	110	-	14	28
DS(K)-20	2	1.5	80	3"	15	700	670	580	455	310	125	17	32
DS(K)-30	3	2.2	80	3"	15	860	840	780	700	590	440	20	42

Model No.	Output		Outlet		Pass Solid Dia(mm)	Max Flow(LPM)	LPM Flow @ Head					Max Head(M)	Weight Kg
	HP	KW	mm	inch			5M	10M	15M	20M	25M		
DS(K)-50	5	3.7	100	4"	15	1300	1230	1060	750	260	-	22	57
DS(K)-75	7.5	5.5	100	4"	20	1400	1350	1230	1000	520	-	24	64
DS(K)-100	10	7.5	100	4"	27	1500	1450	1350	1150	800	240	27	75

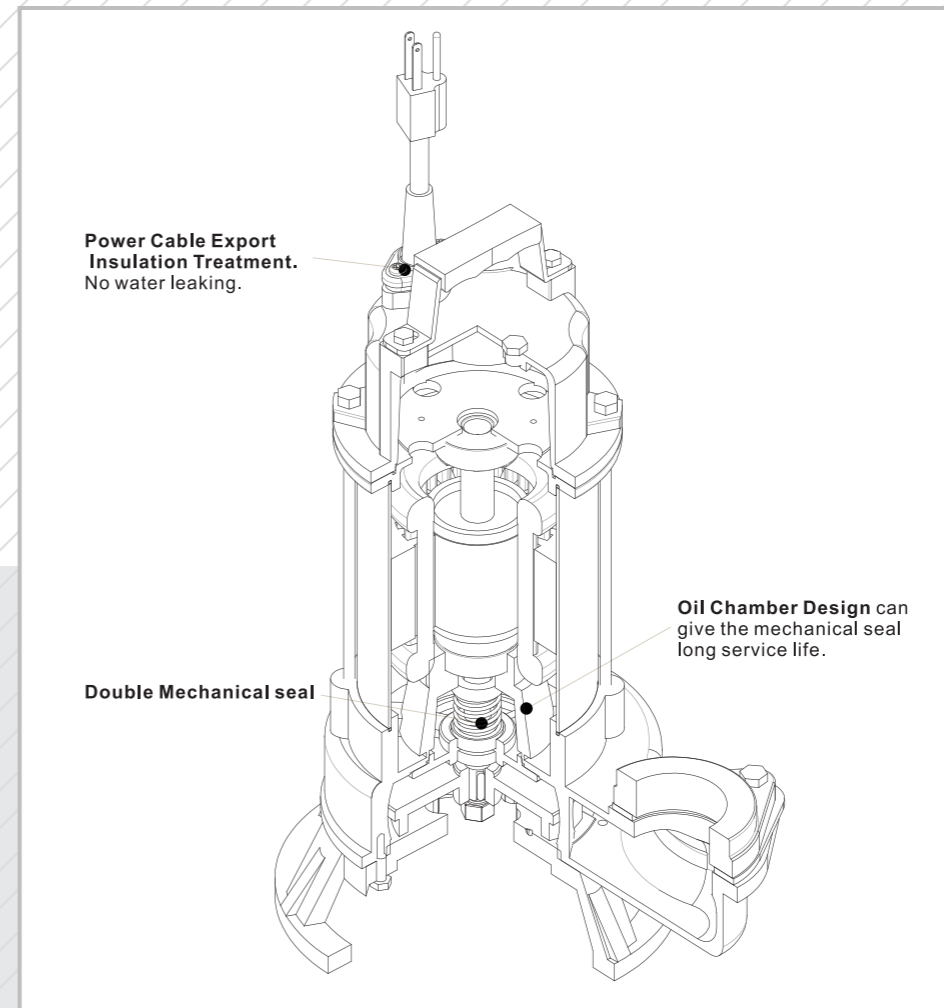
60Hz

Model No.	Output		Outlet		Pass Solid Dia(mm)	Max Flow(LPM)	LPM Flow @ Head					Max Head(M)	Weight Kg
	HP	KW	mm	inch			3M	6M	9M	12M	15M		
DS(K)-05	1/2	0.4	50	2"	15	300	290	220	60	-	-	10	18
DS(K)-10	1	0.75	50	2"	15	420	400	330	220	80	-	14	28
DS(K)-20	2	1.5	80	3"	15	660	625	560	480	370	200	18	32
DS(K)-30	3	2.2	80	3"	15	820	780	690	580	430	250	19	42

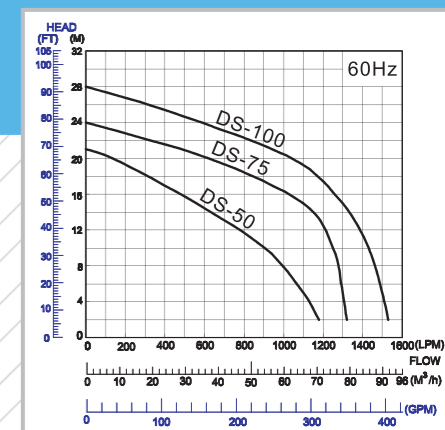
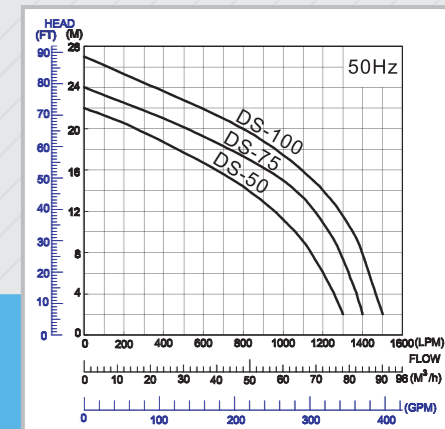
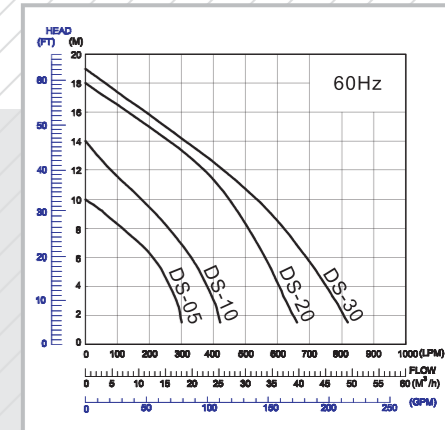
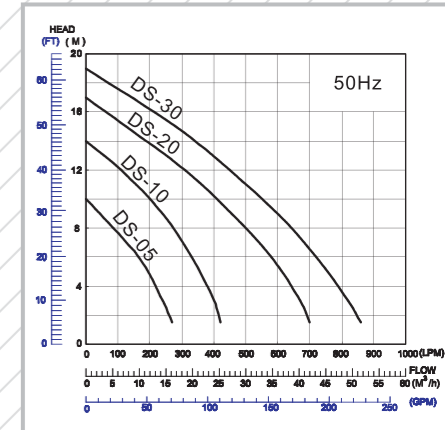
Model No.	Output		Outlet		Pass Solid Dia(mm)	Max Flow(LPM)	LPM Flow @ Head					Max Head(M)	Weight Kg
	HP	KW	mm	inch			5M	10M	15M	20M	25M		
DS(K)-50	5	3.7	100	4"	15	1180	1100	905	560	135	-	21	57
DS(K)-75	7.5	5.5	100	4"	20	1320	1300	1250	1100	620	-	24	64
DS(K)-100	10	7.5	100	4"	27	1530	1500	1430	1300	1040	450	28	75

"K" means cutter impeller

Sectional View



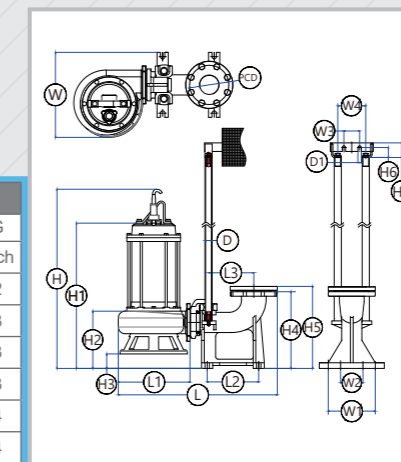
Curve



Dimension

DS(K) Dimension

Model	L	L1	L2	W	H	H1	H2	H3	H4	PCD	G
	mm	mm	mm	mm	mm	mm	mm	mm	mm	mm	inch
DS(K)-10	384	255	103	230	525	430	130	190	220	117	2
DS(K)-20	384	255	103	230	545	450	130	190	220	117	3
DS(K)-30	480	290	183	285	555	460	135	250	280	155	3
DS(K)-50	480	290	183	285	585	490	135	250	280	155	3
DS(K)-75	570	320	215	340	710	555	190	282	317	180	4
DS(K)-100	570	320	215	340	710	555	190	282	317	180	4



DS(K) + QDC Dimension

Model	L	L1	L2	L3	W	W1	W2	W3	W4	H	H1	H2	H3	H4	H5	H6	H7	D	D1	PCD	G
	mm	mm	mm	mm	mm	mm	mm	mm	mm	mm	mm	mm	mm	mm	mm	mm	mm	mm	mm	mm	mm
DS(K)-10	550	255	152	133	230	100	188	70	125	565	470	170	40	242	275	44	65	32	15	150	2
DS(K)-20	550	255	152	133	230	100	188	70	125	585	490	170	40	242	275	44	65	32	15	150	2
DS(K)-30	675	290	230	202	338	252	252	70	125	625	535	207	70	346	366	44	65	32	15	175	3
DS(K)-50	675	290	230	202	338	252	252	70	125	655	565	207	70	346	366	44	65	32	15	175	3
DS(K)-75	710	320	230	202	380	252	252	70	125	775	620	255	65	346	366	44	65	32	15	175	3
DS(K)-100	710	320	230	202	380	252	252	70	125	800	645	255	65	346	366	44	65	32	15	175	3

Standard Accessories

Model No.	Accessories	Pedestal Type
DS(K)-10	Flange, Hose connection	TOS-SG
DS(K)-20	Flange, Hose connection	TOS-S3
DS(K)-30	Flange, Hose connection	TOS-S3
DS(K)-50	Elbow, Flange	TOS-L4
DS(K)-75	Elbow, Flange	TOS-L4
DS(K)-100	Elbow, Flange	TOS-L4

