

HURRICANE™ +

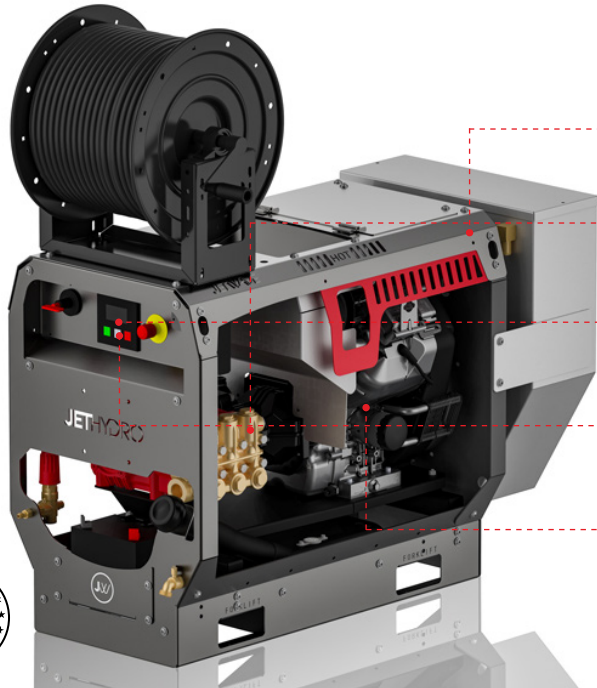
5080
PSI

36.4
L/PM

V - TWIN EFI
37HP PETROL
ENGINE TYPE
VANGUARD 

GEARBOX
1450RPM
DRIVE

COLD
WATER
OUTPUT



HERO INNOVATIONS



PEXO™
Stainless Steel Exoskeleton



JWPP™
Jetwave Italian Premium Pump



INTELIIUMS™
LCD Control Panel



JRS400™
SmartJet™ Remote Control System



AST™
Auto Speed Technology



LEARN MORE



Hurricane Video

APPLICATIONS



Plumbers



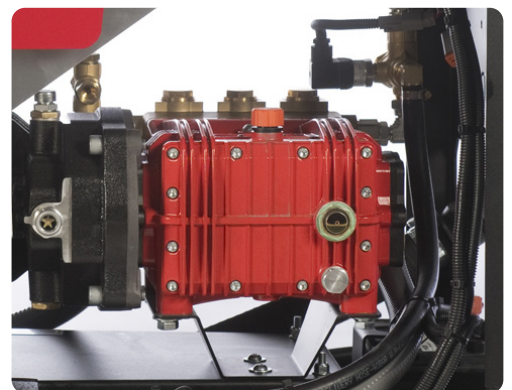
Council & Municipality



Drain Cleaning



Water Authorities



STANDOUT FEATURES



JW® Enhanced Italian triplex plunger pump running at 1450RPM delivers more performance and longer life.



Electric start Industrial V-Twin Vanguard™ Big Block EFI 37HP Series Engine with electronic fuel injection and auto RPM'S.



InteliUMS™ LCD Unit management system displays live data read outs, warnings and auto shutdown to protect the units critical components.



50L on-board water bypass tank with low level cut out.



JRS400 SmartJet™ allows operators to remotely control machine on/off and open/close the high pressure outlet.



Emergency stop & battery isolator.

STANDARD EQUIPMENT



Spray down gun & lance.



60m Hose reel with 60m of 3/8" thermoplastic jetting hose & ball valve.

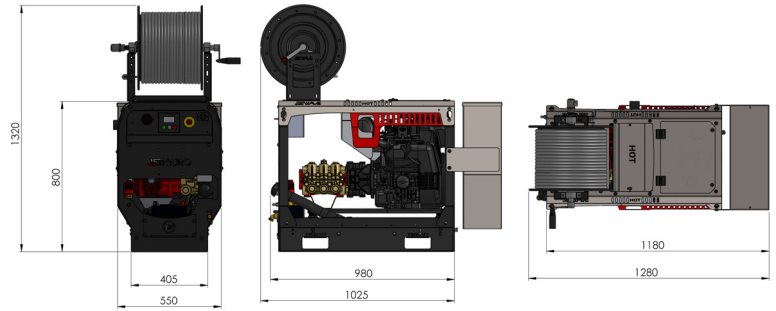


IP68 Professional nozzle kit



JRS400 SmartJet™ Remote Control System & Safety whip restraint

DIMENSIONS (MM)



TECHNICAL DATA

HURRICANE™+

Product Code	JH5000-36PB
Pressure / Flow	5080 PSI (350 BAR) / 36.4 L/PM
Max Water Inlet Temp	60°C
Class (ASNZS: 4223)	B (12,740 Bar/Litres)
Usage Frequency	Professional - 4 Hours Daily
Nozzle Size	08
Frame Structure	CNC Modular galvanised steel chassis plus satin powder coat finish and stainless steel cover

MOTOR FEATURES

Engine / Power	Vanguard™ EFI Big Block (B&S) Electric Push Button Start (air cooled w/auto speed) 37HP / 996cc
Fuel Type / Capacity / Protection	Petrol / 25L (w/level gauge) / IntelliUMS™ Auto Shutdown Protection



HYDRAULIC FEATURES

Pump / Head / Pistons	JW® Italian Triplex Plunger / Brass / Ceramic
Motor Pump Coupling / Pump RPM	Gearbox Drive / 1450RPM
Unloader Valve	Independent
Safety Valve	Yes

DIMENSIONS & WEIGHT

Machine Dimensions / Weight	Skid: 1280mm(L) x 550mm(W) x 1320mm(H) / 280KG
-----------------------------	--

WARRANTY(S)

Unit / Pump Warranty*	 2 Years / 3 Years
Engine Warranty*	 3 Years

OPTIONAL ACCESSORIES

OPTIONAL UPGRADES

Remote Mini Reel w/60m 1/4" Hose	PW134-RRCMPL/HOP4	Low Pressure Inlet Hose Reel w/30m hose	1065CMPLLP
Remote Mini Reel Locking Plate	90012HRH-LP		
Forward Root Cutting Nozzle	C43RS		
15m Viperflex Whip Hose	HOP3VFX15-ASSY		
Jetting Safety Plate	JSP		
Class B Double Action Foot Valve	55403-DA		

The manufacturer reserves the right to modify design features and technical facts without notice, due to our principals of continuous improvement.

*Coverage against defects in material and workmanship (refer to Jetwave's and component partners T&Cs).

V2.2 08/21