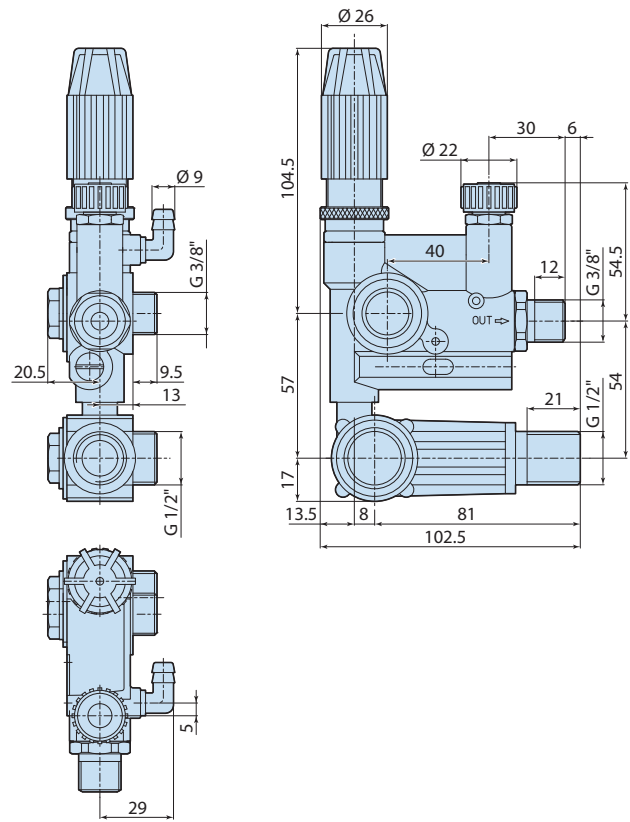


Description

Unloader valve, automatically relieves pressure from pump at shut-off, built-in by-pass, detergent injector and pressure indicator. For HPE and XT series.



Details	Value
Category	Accessories
Series	Regulating Valves - Valvole di regolazione
ARCode	2980
Output (lt/min)	8÷11
Pressure (bar)	Max 140
Pressure (psi)	Max 2000



1268532