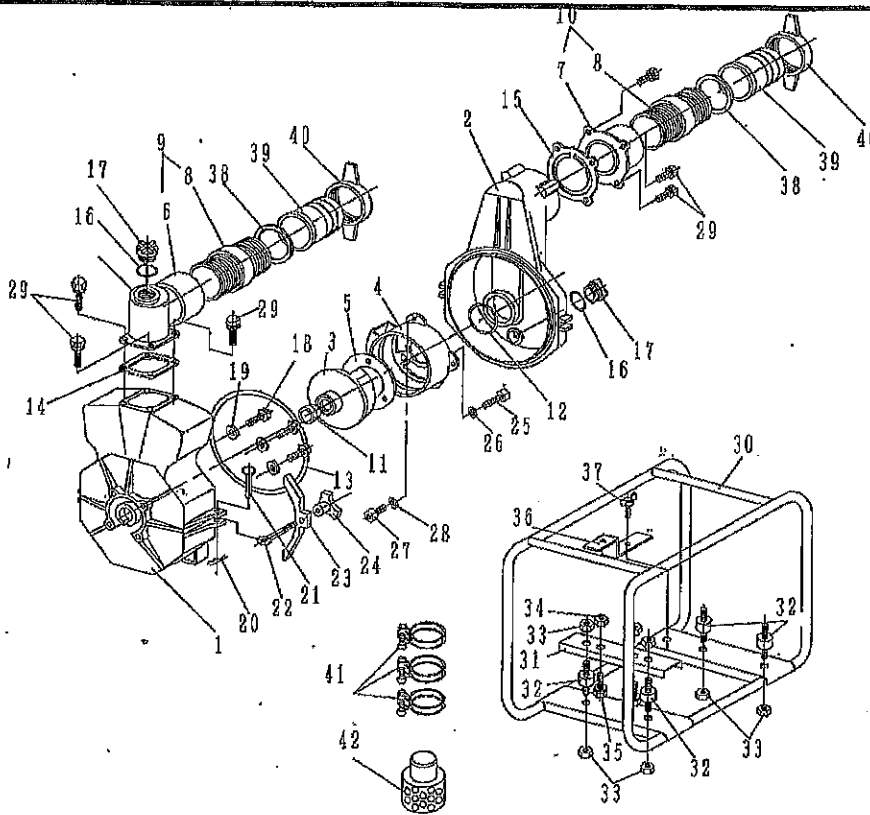
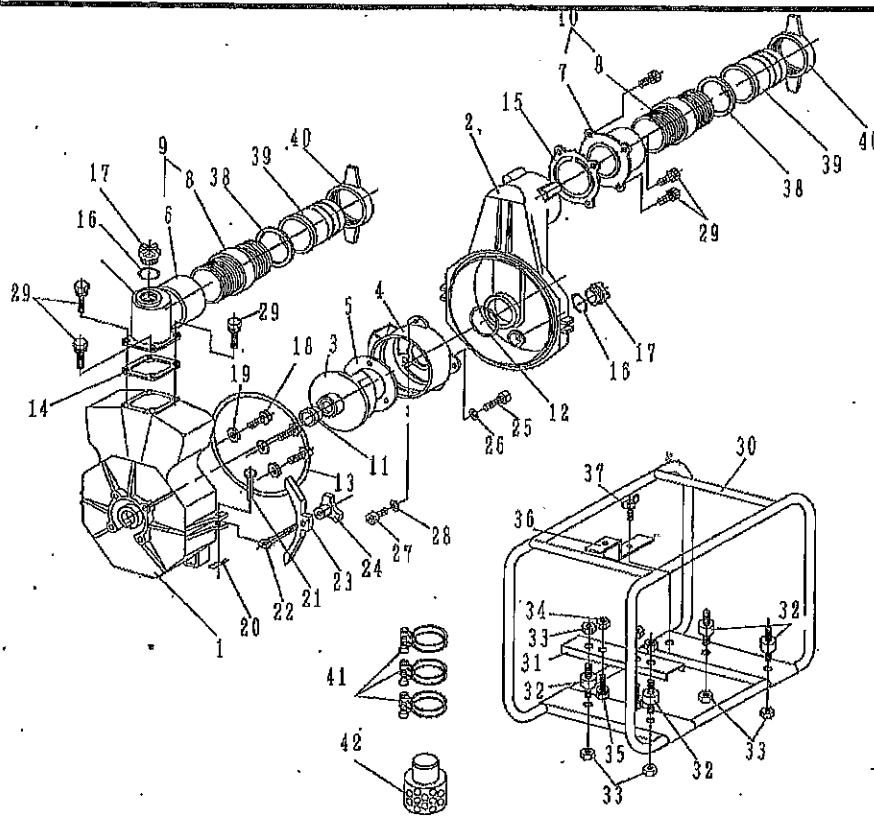


SWT-100HX



REF No.	Parts No.	Parts name	Q'ty	Remarks
	ENGINE	HONDA GX340	1	
1	200 200 351	CASING	1	SWT100
2	200 200 340	CASING COVER	1	SWT100
3	200 210 210	IMPELLER	1	
4	200 210 050	INNER CASING	1	
5	200 300 230	LINER	1	SWT100
6	200 200 450	BEND	1	IN-LOW-NPSM4
7	200 200 572	VALVE CASE	1	IN-NPSM4
8	200 300 430	FITTING PIPE	2	4B NPT-PF
9	202 200 140	BEND ASSY	(1)	PF4
	202 200 141	BEND ASSY	(1)	NPT4
10	202 200 110	VALVE CASE ASSY	(1)	PF4
	202 200 111	VALVE CASE ASSY	(1)	NPT4
11	201 100 061	MECHANICAL SEAL	1	SIC
12	200 800 120	O-RING	1	G-90
13	200 800 060	O-RING	1	G-240
14	200 900 210	PACKING,BEND	1	
15	200 900 300	CHECK VALVE	1	
16	200 800 220	O-RING	2	W1516-31
17	200 200 700	PLUG	2	AL
18	203 000 470	FLANGE BOLT	4	UNC3/8x45
19	203 100 190	AL WASHER	4	10.2-20-3.0
20	203 300 040	SNAP PIN	2	φ12
21	203 300 020	RIVET	2	φ12
22	203 000 500	COVER BOLT	2	M16
23	200 210 420	CASING COVER HOLDER	2	
24	200 210 440	KNOB	2	M16
25	203 000 380	HEX.SOCKET HEAD BOLT	3	M5x14(SUS)

SWT-100HX



REF No.	Parts No.	Parts name	Q'ty	Remarks
26	203 100 100	SPRING WASHER	3	M5(SUS)
27	203 000 370	HEX.SOCKET HEAD BOLT	3	M8x30(SUS)
28	203 100 130	SPRING WASHER	3	M8(SUS)
29	203 000 081	HEX.BOLT	8	M10x30(17) P=2
30	200 100 100	FRAME(BLACK)	1	
31	200 100 380	BASE,ENGINE(BLACK)	1	
32	200 900 360	ANTI VIBRATION RUBBER	4	
33	203 200 030	SPRING NUT	6	M8
34	203 000 020	FRANGE NUT	2	M10
35	203 000 140	HEX.BOLT	2	M10 x 45 P=2
36	200 300 240	MULTI-PURPOSE TOOL	1	
37	203 000 510	WING BOLT	1	M6x15
38	200 900 080	PACKING,COUPLING	2	NBR
39	200 200 590	HOSE COUPLING	2	AL
40	200 200 580	COUPLING HANDLE	2	PF4"
41	201 000 070	HOSE BAND	3	4"
42	201 200 260	STRAINER	1	4"ER