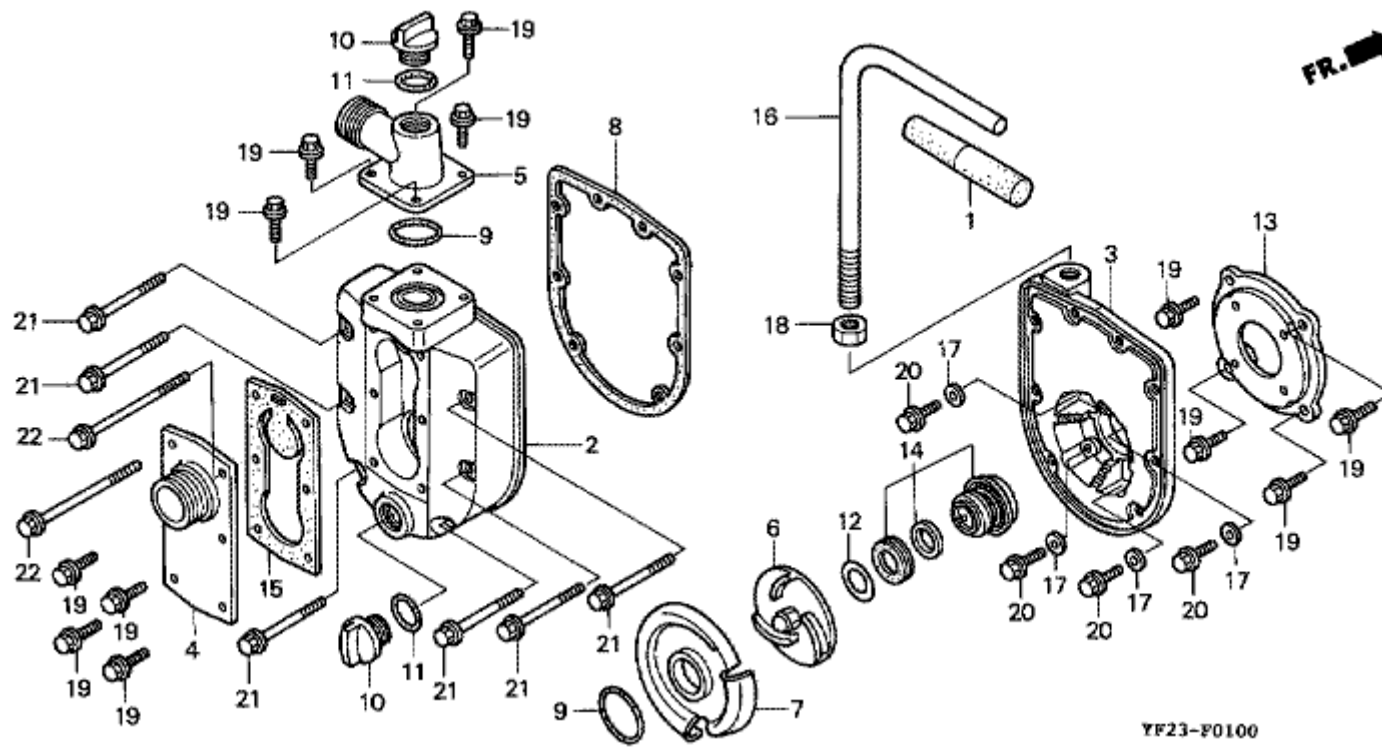


F-1

CASING



Ref.	Parts No.	Description	Qty
001	22542-900-000	GRIP, FR. CLUTCH LEVER	001
002	78101-YF2-003	CASING	001
003	78102-YF2-003	PLATE, END	001
004	78103-YF2-003	PLATE, SUCTION (PF)	001
005	78104-YF2-003	PIPE, OUTLET (PF)	001
006	78106-YF2-003	IMPELLER	001
007	78107-YF2-003	CASE, VOLUTE	001
008	78112-YF2-003	PACKING, END PLATE	001
009	78115-YB0-003	RING A, SEAL	002
010	78117-YB7-020	CAP, FILLER	002
011	78118-YB0-003	RING, SEAL (B)	002
012	78122-YF2-003	SHIM, ADJUSTER	N
013	78125-YF2-003	CASE, SPACER	001
014	78130-YF2-003	SEAL ASSY., MECHANICAL	001
015	78159-YF2-003	PACKING, SUCTION	001
016	78206-YF2-000	HANDLE	001
017	90441-028-010	WASHER, SEALING, 6MM	004
018	94001-12000-0S	NUT, HEX., 12MM	001
019	95701-06016-00	BOLT, FLANGE, 6X16	012
020	95701-06018-00	BOLT, FLANGE, 6X18	004
021	95701-06055-00	BOLT, FLANGE, 6X55	006
022	95701-06085-00	BOLT, FLANGE, 6X85	002