



Atlas Copco



The image displays a variety of Atlas Copco dewatering pumps. In the background, there are two large yellow industrial units. In the foreground, several smaller pumps are arranged on a gravel surface. These include two tall, grey cylindrical pumps with yellow tops, and several smaller, more compact pumps in yellow and grey. Some pumps have black hoses attached. The scene is set outdoors with green foliage in the background.

Atlas Copco Dewatering pumps product range

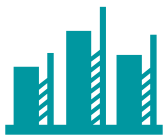
www.atlascopco.com/dewatering-pumps

Submersible pumps



WEDA D range (Drainage pumps)

Ground water removal | Excavation dewatering | Open pit dewatering
Process water supply | Storm water and flood control | Mining



Construction



Utility



Rental



Residential



General Industry



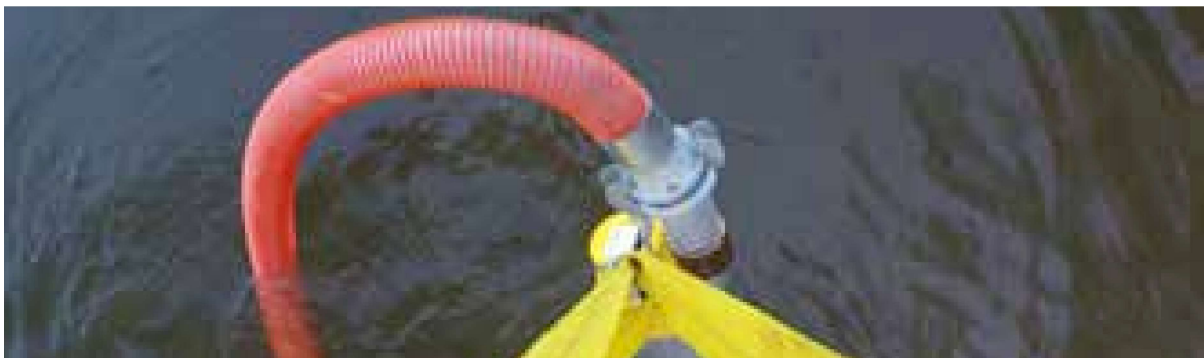
Municipal



Public and
Governmental



Roadworks



WEDA S range (Sludge pumps)

Tank clean-out | Agricultural product wash down pit
Treatment plants | Trench and pond cleaning | Mining



Construction



Utility



Rental



Municipal



Public and
Governmental



WEDA L range (Slurry pumps)

Dredging | Mining | Industry



Construction



Utility



Rental



Municipal



Public and
Governmental



Submersible pumps

Drainage pumps (WEDA D)



WEDA drainage pumps are designed for an extensive range of dewatering applications, across multiple industries. They provide the performance, reliability and ease of use you need for pumping water with abrasive solids, ground water or raw water.



HIGH CORROSION RESISTANCE

Unique aluminum alloy offers the perfect combination of strength, light weight and corrosion resistance

FLEXIBILITY

Discharges can be mounted vertically or sideways as required

MOTOR PROTECTION

Class F motors, with thermal switches in each winding

EXTENDED PERFORMANCE

Pump design ensures all-round motor cooling for better performance

WEDA+

- Rotation control
- Phase failure protection
- Thermal switches
- Phase shifter plugs for three-phase pump



IMPROVED CABLE SEALING

Ensures protection against water leakage from cable entry

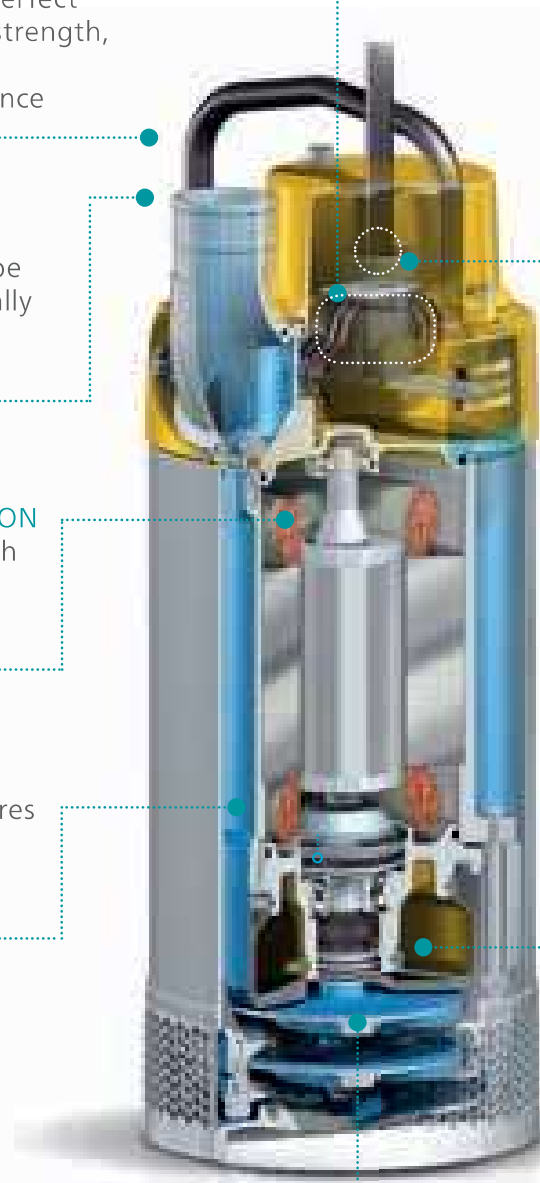
MODULAR SEALING SOLUTION

Based on pump size, the sealing system is adapted to provide the best solution

IMPROVED WEAR RESISTANCE

High-chrome (55HRC) impellers provide higher wear resistance

55 HRC

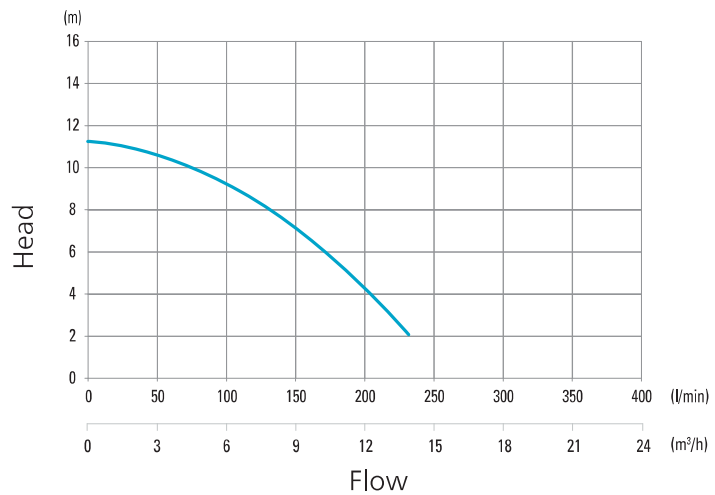


WEDA D04N (50Hz)

Drainage pumps



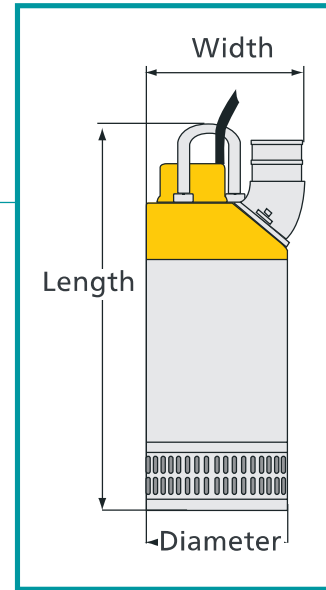
Performance curve



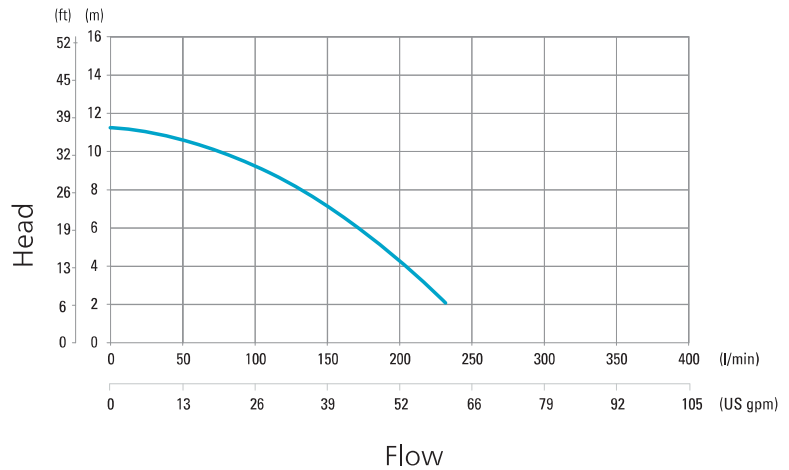
Specifications	1ph	
Rated frequency	50	Hz
Max power P1	0,65	kW
Rated power P2	0.40	kW
Discharge connection	2"	in
Max solid handling size	7,5	mm
Weight and dimensions		
Weight	9,0	kg
Height	340	mm
Width	209	mm
Diameter	182	mm

WEDA D04N (60Hz)

Drainage pumps



Performance curve



Specifications	1ph	
Rated frequency	60	Hz
Max power P1	0,65	kW
Rated power P2	0,5	hp
Discharge connection	2"	in
Max solid handling size	0,3"	in
Weight and dimensions		
Weight	20,0	lbs
Height	13,4"	in
Width	8,3"	in
Diameter	7,2"	in

Surface pumps

Submersible pumps

Terminology

Accessories

Parts and Service

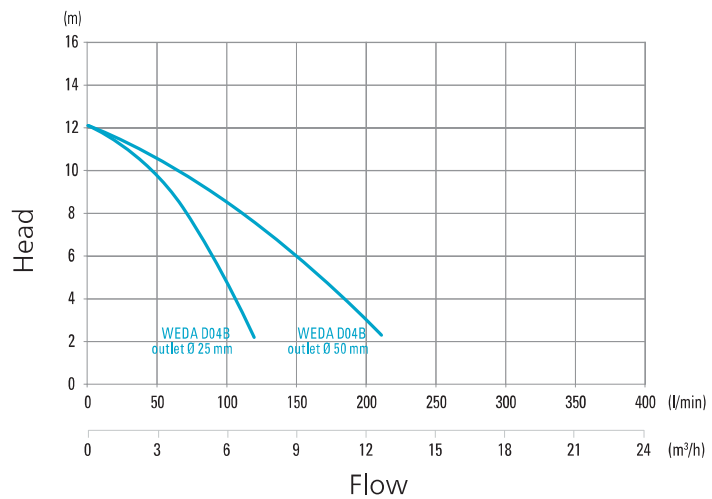
Other Information

WEDA D04BN (50Hz)

Drainage pumps



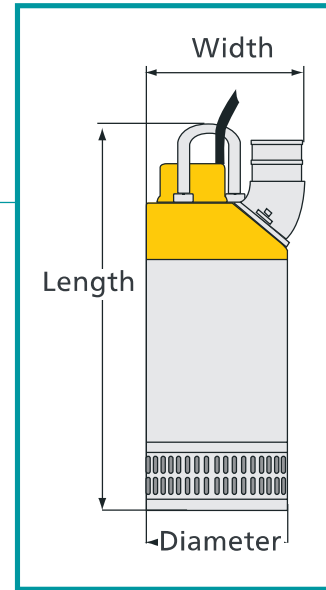
Performance curve



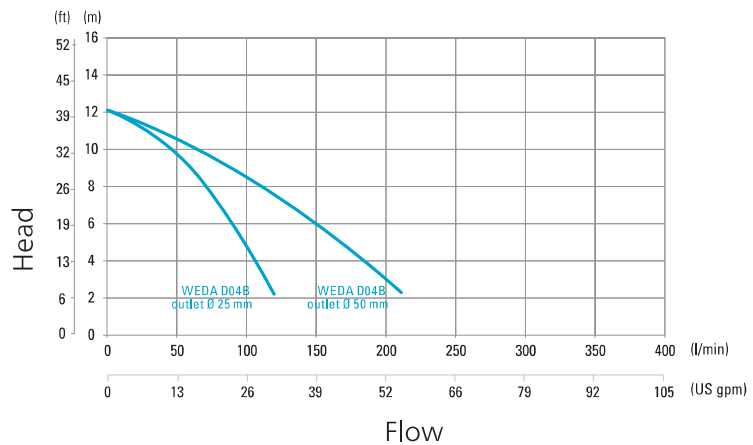
Specifications	1ph	
Rated frequency	50	Hz
Max power P1	0,65	kW
Rated power P2	0,40	kW
Discharge connection	1" (2" optional)	in
Max solid handling size	7,5	mm
Weight and dimensions		
Weight	9,5	kg
Height	415	mm
Width	253	mm
Diameter	220	mm

WEDA D04BN (60Hz)

Drainage pumps



Performance curve



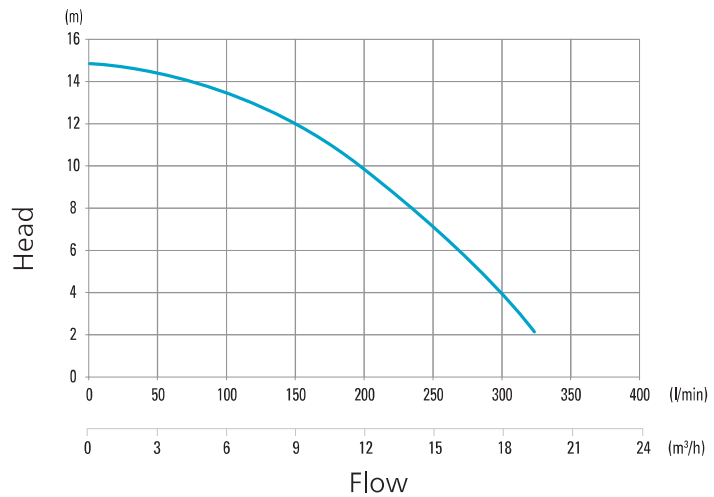
Specifications	1ph	
Rated frequency	60	Hz
Max power P1	0,7	kW
Rated power P2	0,5	hp
Discharge connection	1" (2" optional)	in
Max solid handling size	0,18"	in
Weight and dimensions		
Weight	21,0	lbs
Height	16,4"	in
Width	10,0"	in
Diameter	8,7"	in

WEDA D08N (50Hz)

Drainage pumps



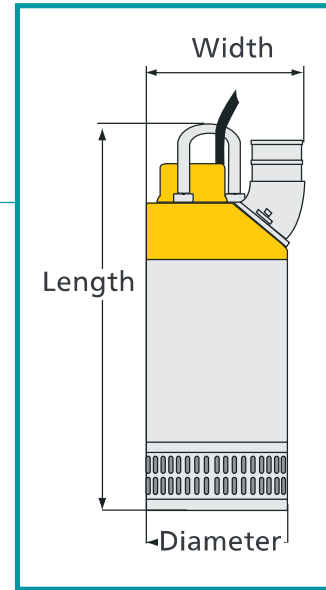
Performance curve



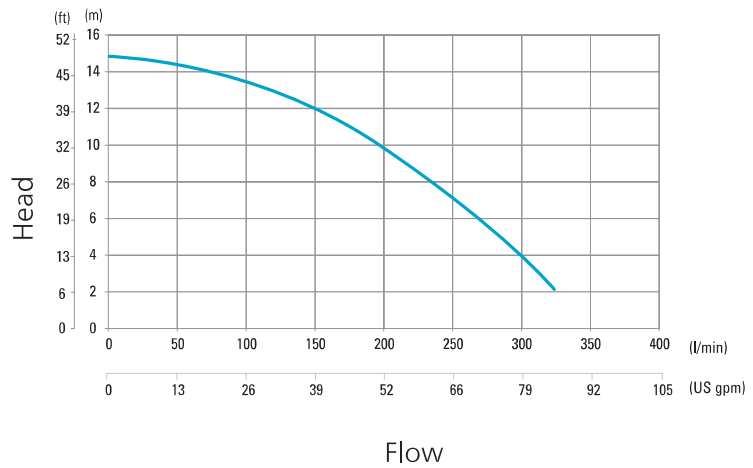
Specifications	1ph	
Rated frequency	50	Hz
Max power P1	1,2	kW
Rated power P2	0,8	kW
Discharge connection	2"	in
Max solid handling size	7,5	mm
Weight and dimensions		
Weight	12,4	kg
Height	358	mm
Width	210	mm
Diameter	183	mm

WEDA D08N (60Hz)

Drainage pumps



Performance curve



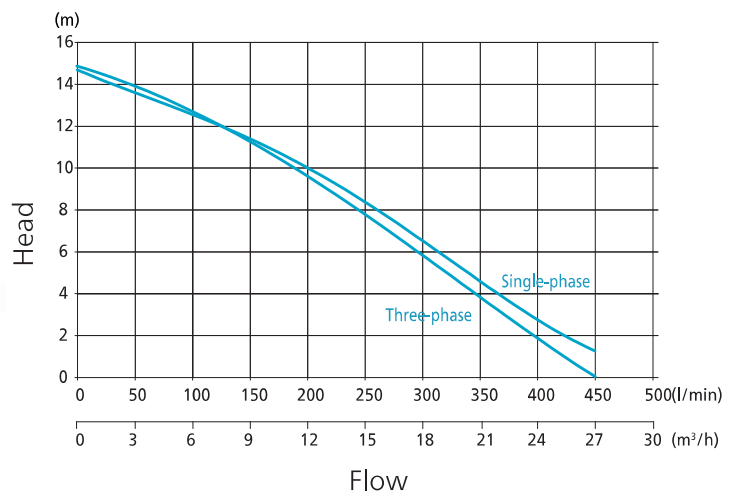
Specifications	1ph	
Rated frequency	60	Hz
Max power P1	1.2	kW
Rated power P2	1.0	hp
Discharge connection	2"	in
Max solid handling size	0,3"	in
Weight and dimensions		
Weight	27,4	lbs
Height	14,1"	in
Width	8,3"	in
Diameter	7,3"	in

WEDA D10N (50Hz)

Drainage pumps



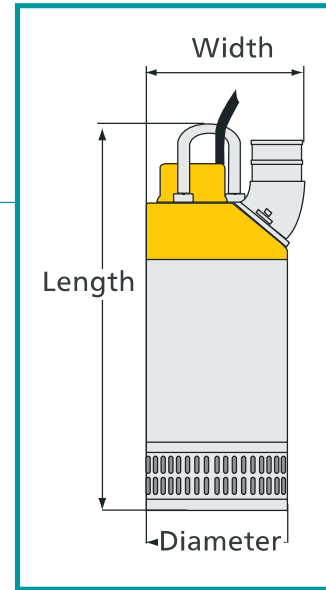
Performance curve



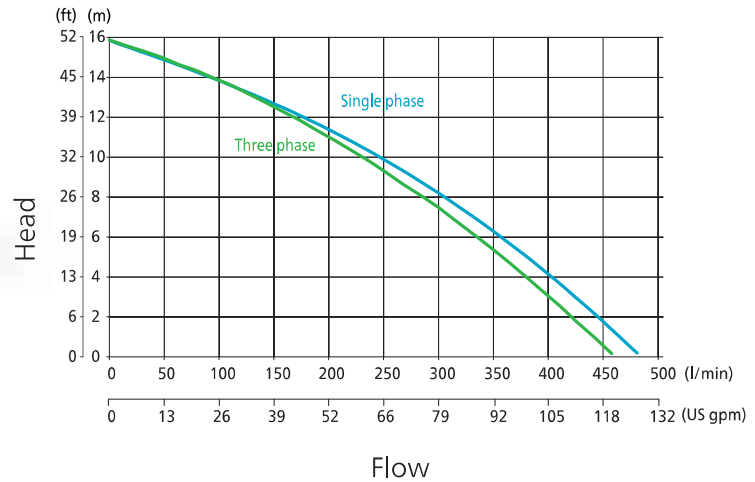
Specifications	1ph	3ph	
Rated frequency	50	50	Hz
Max power P1	1,2	1,2	kW
Rated power P2	1	1	kW
Discharge connection	2"	2"	in
Max solid handling size	4	4	mm
Weight and dimensions			
Weight	12,5	12,5	kg
Height	372	372	mm
Width	222	222	mm
Diameter	183	183	mm

WEDA D10N (60Hz)

Drainage pumps



Performance curve



Specifications	1ph	3ph	
Rated frequency	60	60	Hz
Max power P1	1,5	1,2	kW
Rated power P2	1,5	1,3	hp
Discharge connection	2"	2"	in
Max solid handling size	0,16"	0,16"	in
Weight and dimensions			
Weight	27,5	27,5	lbs
Height	17,4"	17,4"	in
Width	8,7"	8,7"	in
Diameter	7,2"	7,2"	in

Surface pumps

Submersible pumps

Terminology

Accessories

Parts and Service

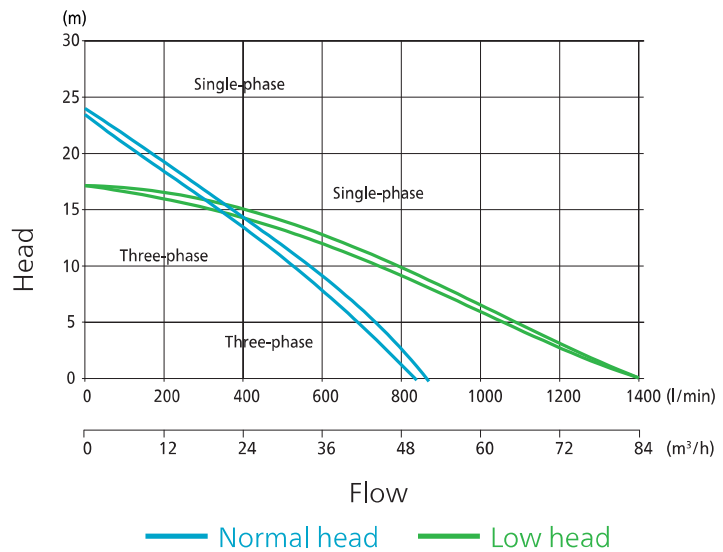
Other Information

WEDA D30 (50Hz)

Drainage pumps



Performance curve



Specifications	WEDA D30L		Weda D30N		
	1ph	3ph	1ph	3ph	
Frequency	50	50	50	50	Hz
Max power P1	2,6	2,5	2,6	2,5	kW
Rated power P2	2	2	2	2	kW
Discharge connection	3" (4")	3" (4")	3" (4")	3" (4")	in
Max solid handling size	7	7	7	7	mm
Weight and dimensions					
Weight	20	20	20	20	kg
Height	503	503	476	476	mm
Width	286	286	286	286	mm
Diameter	220	220	220	220	mm

WEDA D30 (60Hz)

Drainage pumps

Surface pumps

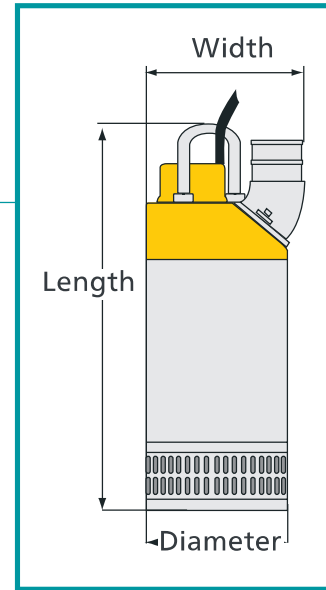
Submersible pumps

Terminology

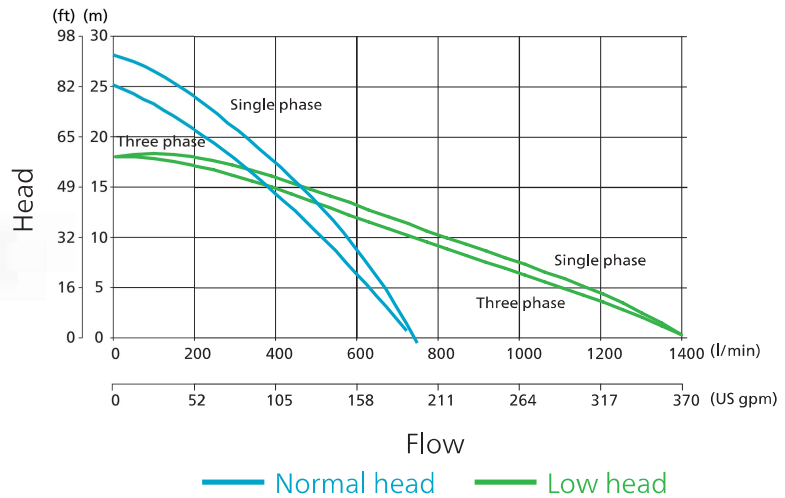
Accessories

Parts and Service

Other Information



Performance curve



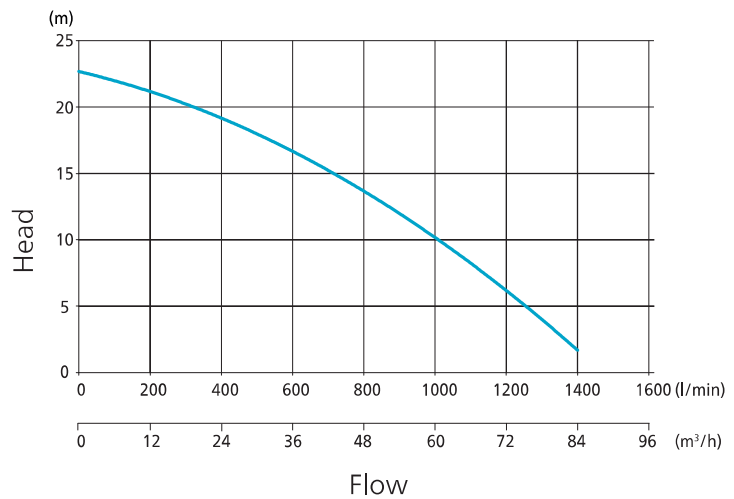
Specifications	WEDA D30L		Weda D30N		
	1ph	3ph	1ph	3ph	
Frequency	60	60	60	60	Hz
Max power P1	3,1	2,9	3,0	2,6	kW
Rated power P2	3,0	3,0	2,7	2,5	hp
Discharge connection	3" (4")	3" (4")	3" (4")	3" (4")	in
Max solid handling size	0,27"	0,27"	0,27"	0,27"	in
Weight and dimensions					
Weight	44,0	44,0	44,0	44,0	lbs
Height	19,8"	18,7"	19,8"	19,7"	in
Width	11,2"	11,2"	11,2"	11,2"	in
Diameter	8,7"	8,7"	8,7"	8,7"	in

WEDA D40N (50Hz)

Drainage pumps



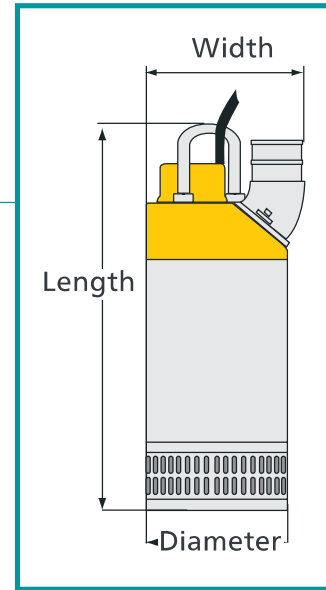
Performance curve



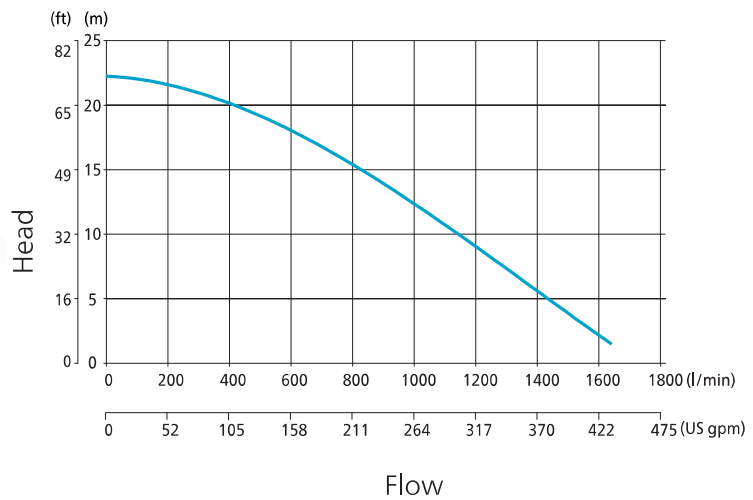
Specifications	1ph	
Rated frequency	50	Hz
Max power P1	3,4	kW
Rated power P2	3,0	kW
Discharge connection	3" (4")	in
Max solid handling size	7	mm
Weight and dimensions		
Weight	25	kg
Height	503	mm
Width	286	mm
Diameter	220	mm

WEDA D40N (60Hz)

Drainage pumps



Performance curve



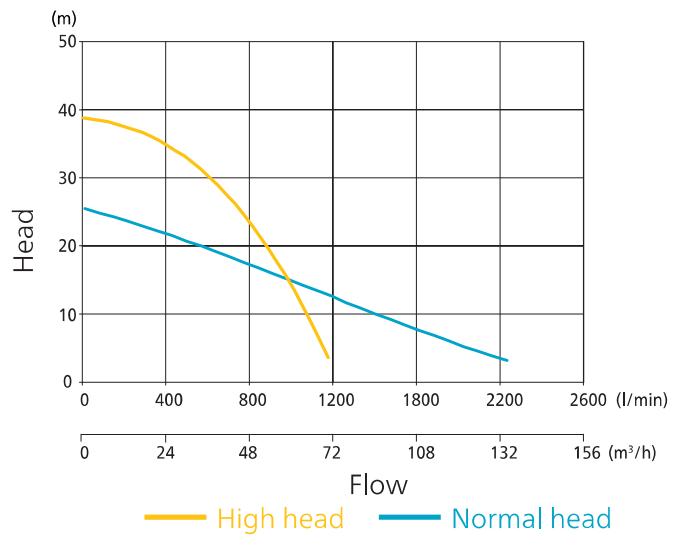
Specifications	1ph	
Rated frequency	60	Hz
Max power P1	3.8	kW
Rated power P2	4,3	hp
Discharge connection	3" (4")	in
Max solid handling size	0,27"	in
Weight and dimensions		
Weight	55,0	lbs
Height	18,7"	in
Width	11,2"	in
Diameter	8,7"	in

WEDA D50 (50Hz)

Drainage pumps



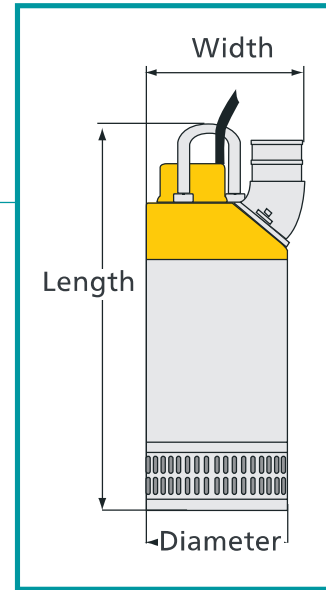
Performance curve



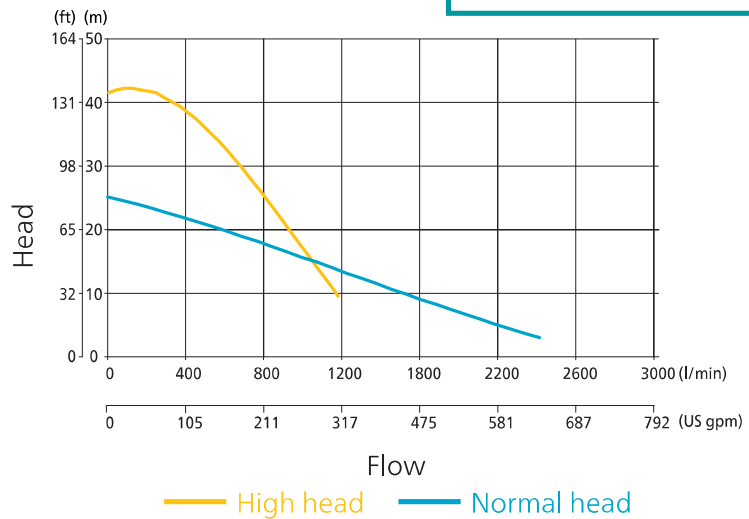
	WEDA D50N	WEDA D50H	
Specifications	3ph	3ph	
Rated frequency	50	50	Hz
Max. power P1	6,6	1,2	kW
Rated power P2	5,6	1	kW
Discharge connection	4" or 3"	3" or 4"	in
Max solid handling size	8	4	mm
Weight and dimensions			
Weight	56	55	kg
Height	720	720	mm
Width	330	302	mm
Diameter	278	278	mm

WEDA D50 (60Hz)

Drainage pumps



Performance curve



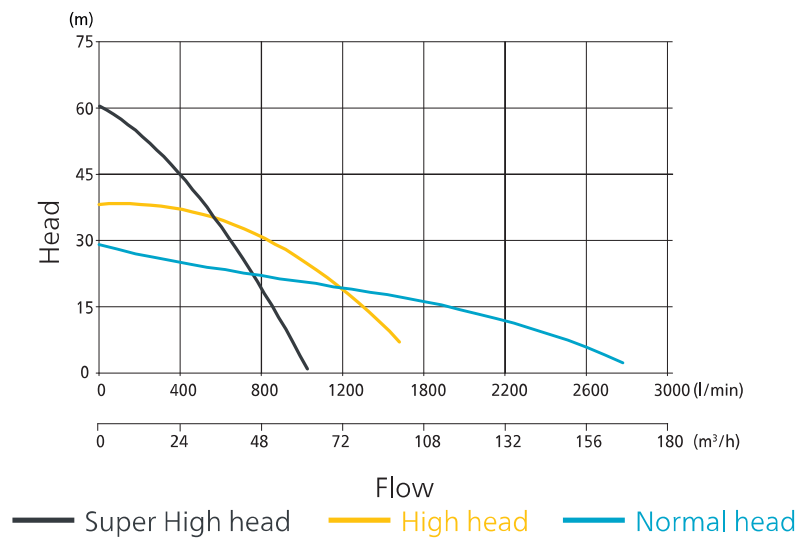
	WEDA D50N	WEDA D50H	
Specifications	3ph	3ph	
Rated frequency	60	60	Hz
Max. power P1	7,5	7,5	kW
Rated power P2	8,5	8,5	hp
Discharge connection	4" (3")	3" (4")	in
Max solid handling size	0,32"	0,32"	in
Weight and dimensions			
Weight	122"	122	lbs
Height	28,3"	28,3"	in
Width	13,0"	11,9"	in
Diameter	10,9"	10,9"	in

WEDA D60 (50Hz)

Drainage pumps



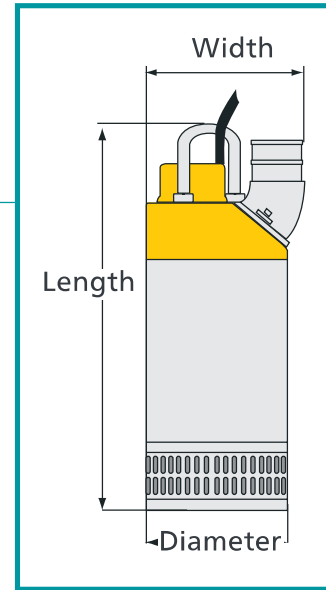
Performance curve



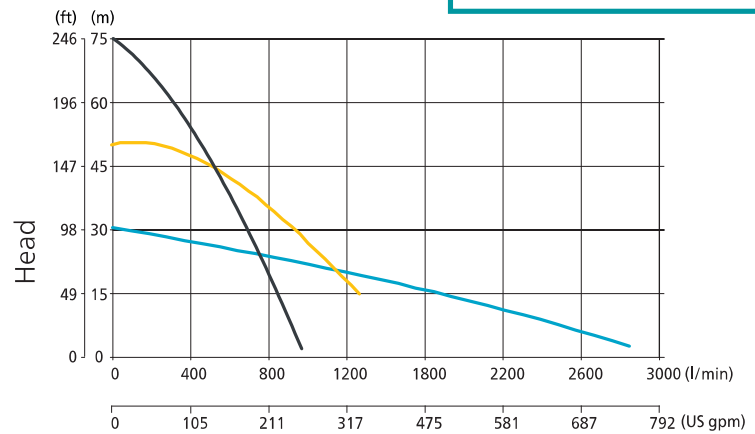
	WEDA D60N	WEDA D60H	WEDA D60SH	
Specifications	3ph	3ph	3ph	
Rated frequency	50	50	5	Hz
Max. power P1	8,8	8,8	8,8	kW
Rated power P2	7,5	7,5	7,5	kW
Discharge connection	4" (3")	3" (4")	3" (4")	in
Max solid handling size	8	8	8	mm
Weight and dimensions				
Weight	61	61	62	kg
Height	760	760	760	mm
Width	330	302	302	mm
Diameter	278	278	278	mm

WEDA D60 (60Hz)

Drainage pumps



Performance curve



— Super High head — High head — Normal head

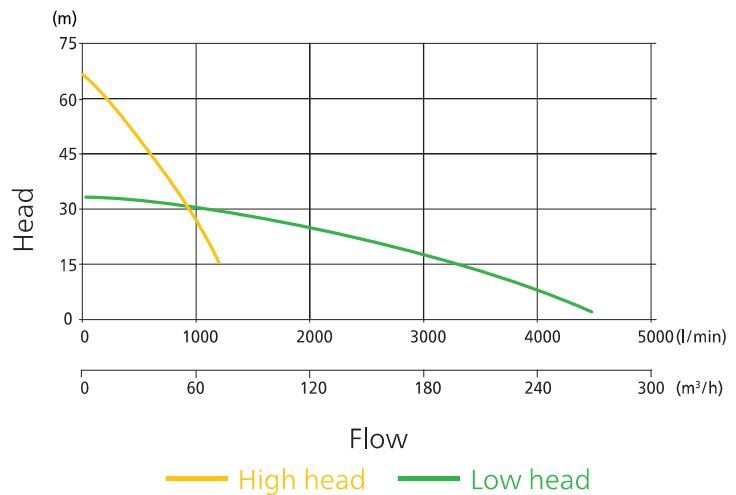
	WEDA D60N	WEDA D60H	WEDA D60SH	
Specifications	3ph	3ph	3ph	
Rated frequency	60	60	60	Hz
Max. power P1	9,9	9,9	10,0	kW
Rated power P2	11.5	11.5	11.5	hp
Discharge connection	4" (3")	3" (4")	3" (4")	in
Max solid handling size	0,32"	0,32"	0,32"	in
Weight and dimensions				
Weight	134	134	138	lbs
Height	29,9"	29,9"	29,9"	in
Width	13,0"	11,9"	11,9"	in
Diameter	10,9"	10,9"	10,9"	in

WEDA D70 (50Hz)

Drainage pumps



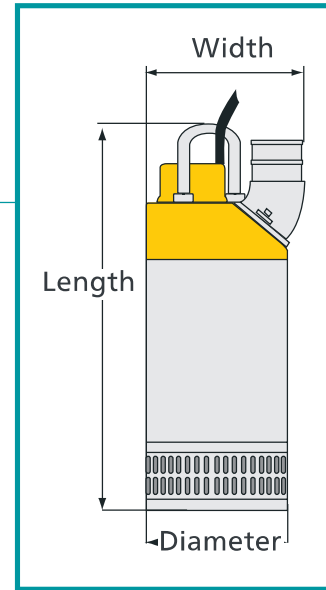
Performance curve



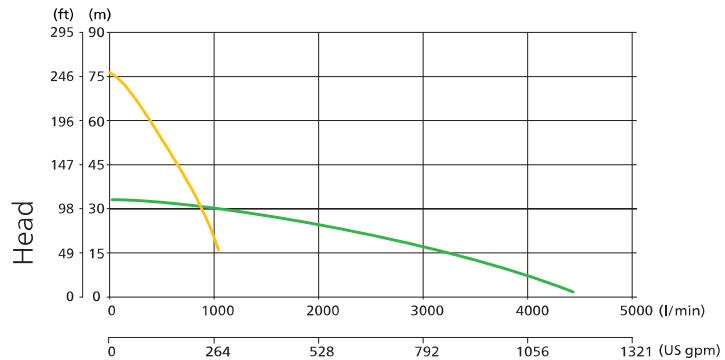
	WEDA D70L	WEDA D70H	
Specifications	3ph	3ph	
Rated frequency	50	50	Hz
Max. power P1	14,0	13,8	kW
Rated power P2	11,8	11,8	kW
Discharge connection	6" (4")	4" (6")	in
Max solid handling size	7	7	mm
Weight and dimensions			
Weight	95	95	kg
Height	911	911	mm
Width	395	395	mm
Diameter	360	360	mm

WEDA D70 (60Hz)

Drainage pumps



Performance curve



— High head — Low head

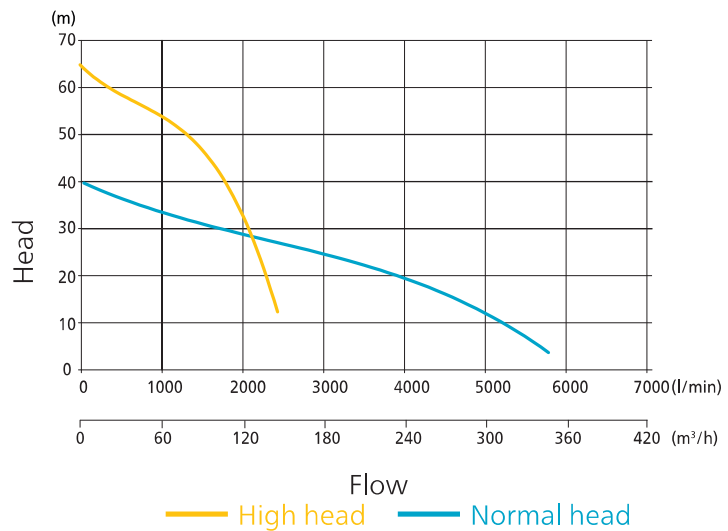
	WEDA D70L	WEDA D70H	
Specifications	3ph	3ph	
Rated frequency	60	60	Hz
Max. power P1	13,4	16,2	kW
Rated power P2	15,0	15,0	hp
Discharge connection	6" (4")	4" (6")	in
Max solid handling size	0,27"	0,27"	in
Weight and dimensions			
Weight	209	209	lbs
Height	15,5"	15,5"	in
Width	35,8"	35,8"	in
Diameter	14,1"	14,1"	in

WEDA D80 (50Hz)

Drainage pumps



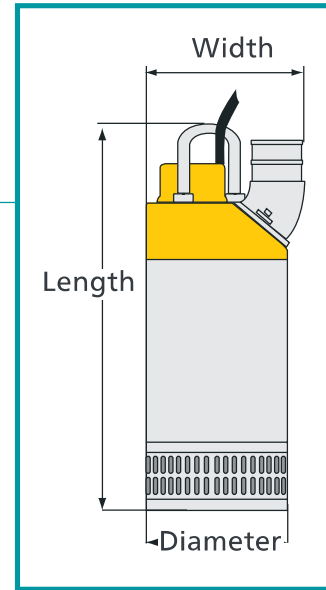
Performance curve



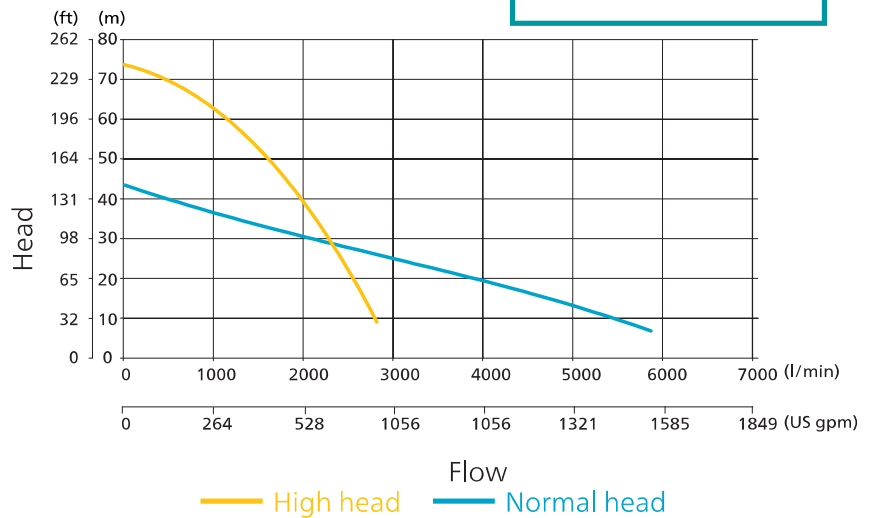
	WEDA D80N	WEDA D80H	
Specifications	3ph	3ph	
Rated frequency	50	50	Hz
Max. power P1	22	22	kW
Rated power P2	20	20	kW
Discharge connection	6" (4")	4" (6")	in
Max solid handling size	12	12	mm
Weight and dimensions			
Weight	180	180	kg
Height	980	980	mm
Width	690	665	mm
Diameter	530	530	mm

WEDA D80 (60Hz)

Drainage pumps



Performance curve



	WEDA D80N	WEDA D80H	
Specifications	3ph	3ph	
Rated frequency	60	60	Hz
Max. power P1	26	26	kW
Rated power P2	31	31	hp
Discharge connection	6" (4")	4" (6")	in
Max solid handling size	0,47"	0,47"	in
Weight and dimensions			
Weight	400	400	lbs
Height	38,6"	38,6"	in
Width	27,2"	26,2"	in
Diameter	20,9"	20,9"	in

Surface pumps

Submersible pumps

Terminology

Accessories

Parts and Service

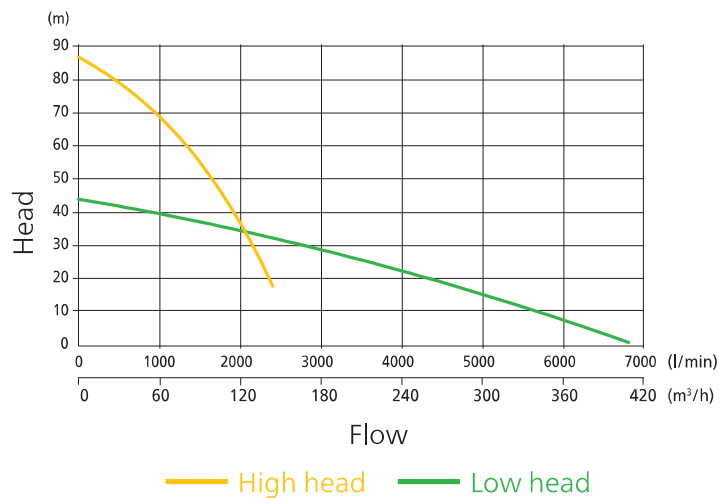
Other Information

WEDA D90 (50Hz)

Drainage pumps



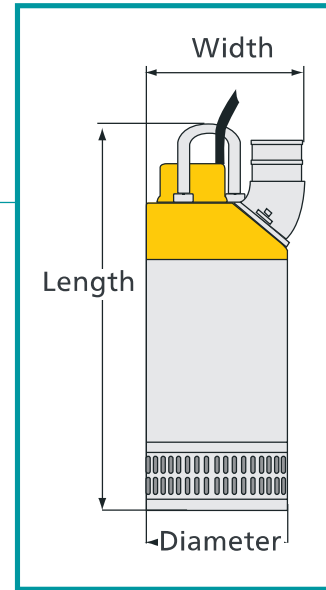
Performance curve



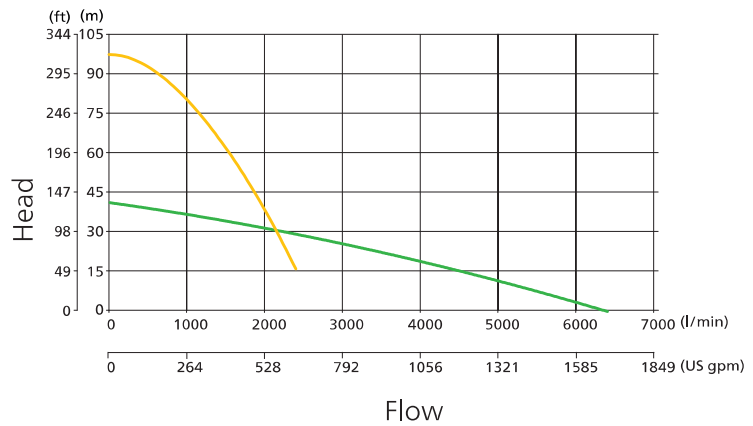
	WEDA D90L	WEDA D90H	
Specifications	3ph	3ph	
Rated frequency	50	50	Hz
Max. power P1	29,3	29,3	kW
Rated power P2	26,5	26,5	kW
Discharge connection	6" (4")	4" (6")	in
Max solid handling size	7	7	mm
Weight and dimensions			
Weight	180	180	kg
Height	1100	1058	mm
Width	480	480	mm
Diameter	400	400	mm

WEDA D90 (60Hz)

Drainage pumps



Performance curve



— High head — Low head

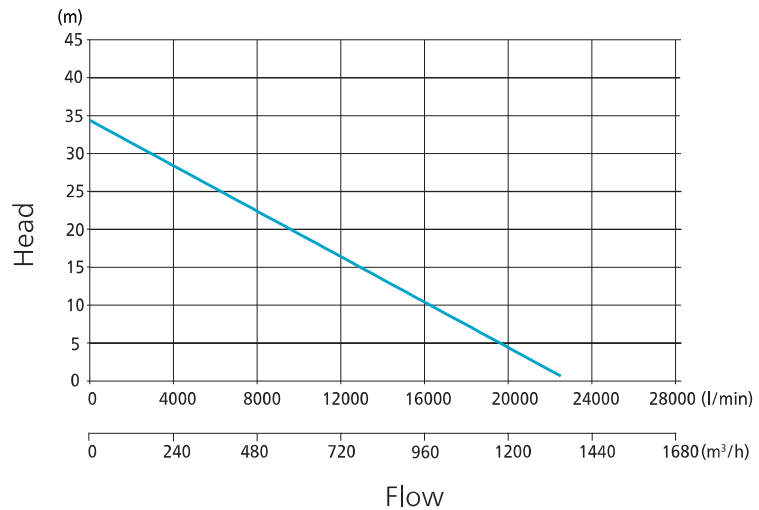
	WEDA D90L	WEDA D90H	
Specifications	3ph	3ph	
Rated frequency	60	60	Hz
Max. power P1	28,6	31,0	kW
Rated power P2	36	36	hp
Discharge connection	6" (4")	4" (6")	in
Max solid handling size	0,27"	0,27"	in
Weight and dimensions			
Weight	400	400	lbs
Height	43,4"	43,4"	in
Width	18,9"	18,9"	in
Diameter	15,8"	15,8"	in

WEDA D100N (50Hz)

Drainage pumps



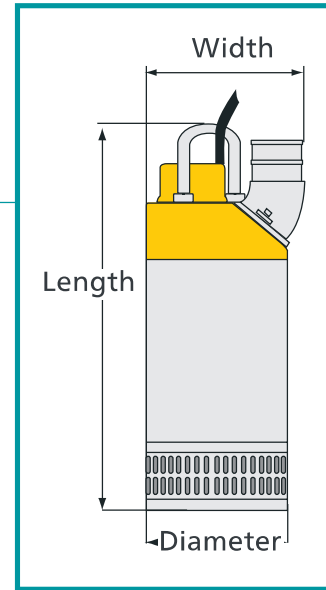
Performance curve



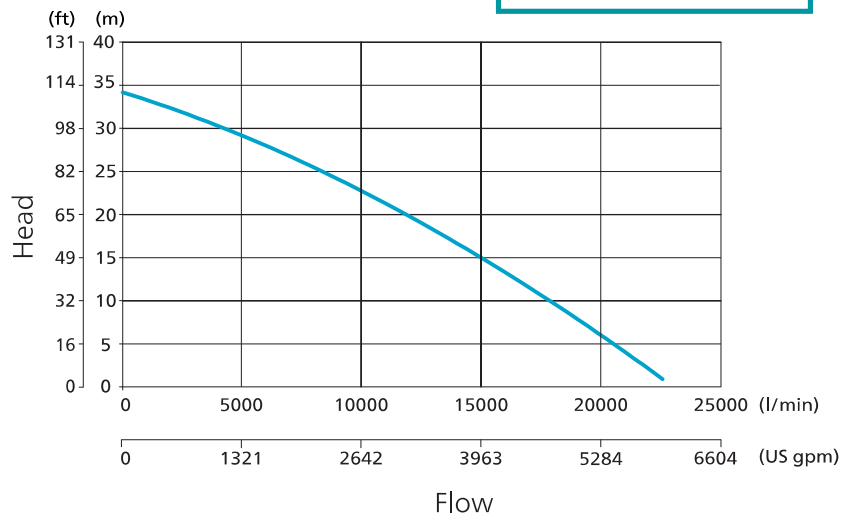
Specifications	3ph	
Rated frequency	50	Hz
Max power P1	65	kW
Rated power P2	54	kW
Discharge connection	10"	in
Max solid handling size	12	mm
Weight and dimensions		
Weight	510	kg
Height	1412	mm
Width	650	mm
Diameter	600	mm

WEDA D100N (60Hz)

Drainage pumps



Performance curve



Specifications	3ph	
Rated frequency	60	Hz
Max power P1	80,0	kW
Rated power P2	84	hp
Discharge connection	10"	in
Max solid handling size	0,47"	in
Weight and dimensions		
Weight	1124	lbs
Height	55,5"	in
Width	25,5"	in
Diameter	23,6"	in

Submersible pumps

Sludge pumps (WEDA S)



WEDA sludge pumps are designed for an extensive range of dewatering applications in tough conditions. They provide the performance, reliability and ease of use you need to pump water with abrasive solids, water having mud, sludge or light slurry.



IMPROVED CABLE SEALING

Ensures protection against water leakage from cable entry

DRY RUNNING CAPABILITIES

Improved rib design offers external cooling to motor for extended running time

MOTOR PROTECTION

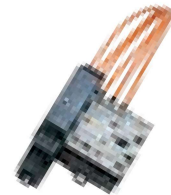
Class F motors, with thermal switches in each winding

HIGHER SOLIDS HANDLING

Sludge pumps can handle solids up to 50 mm winding

WEDA+

- Rotation control
- Phase failure protection
- Thermal switches
- Phase shifter plugs for three-phase pump



EASY INSPECTION

External oil inspection plug for quick inspection of oil

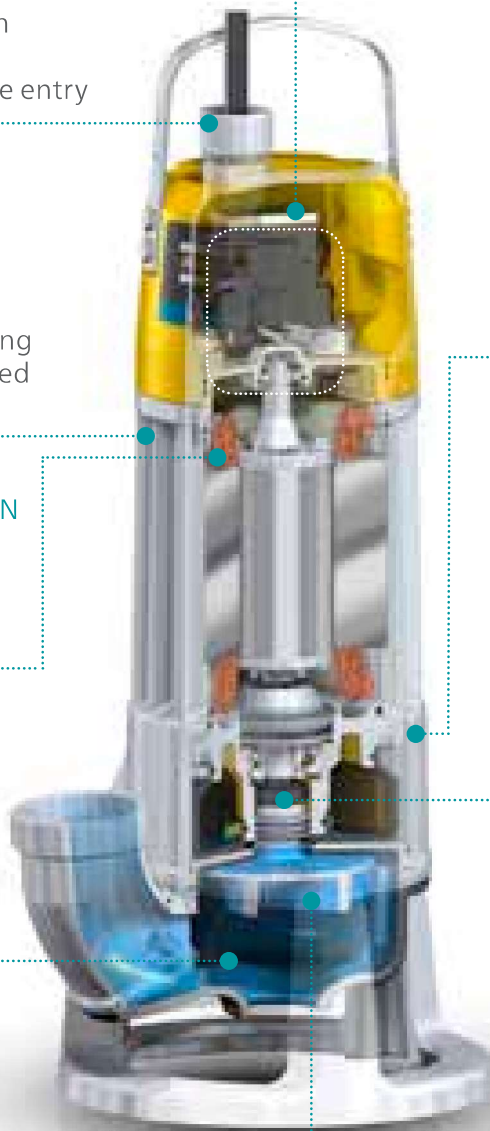
MODULAR SEALING SOLUTION

Based on pump size, the sealing system is adapted to provide the best solution

SUSTAINABLE PERFORMANCE

High-chrome (55HRC) impellers provide higher wear resistance

55 HRC

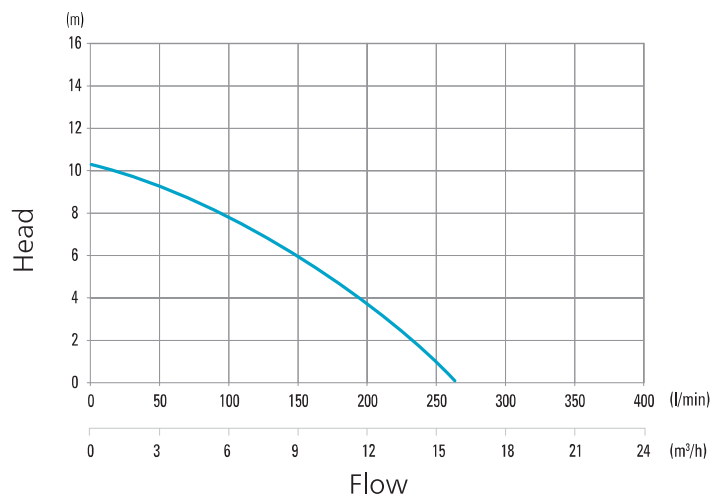


WEDA S04N (50Hz)

Sludge pumps



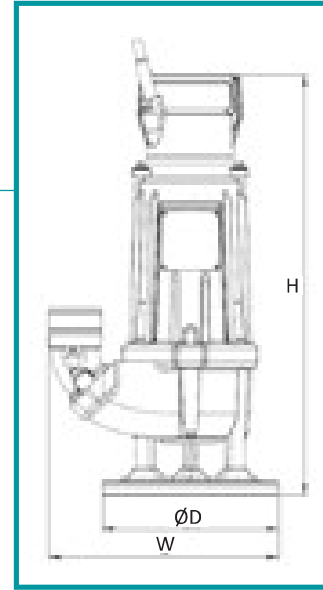
Performance curve



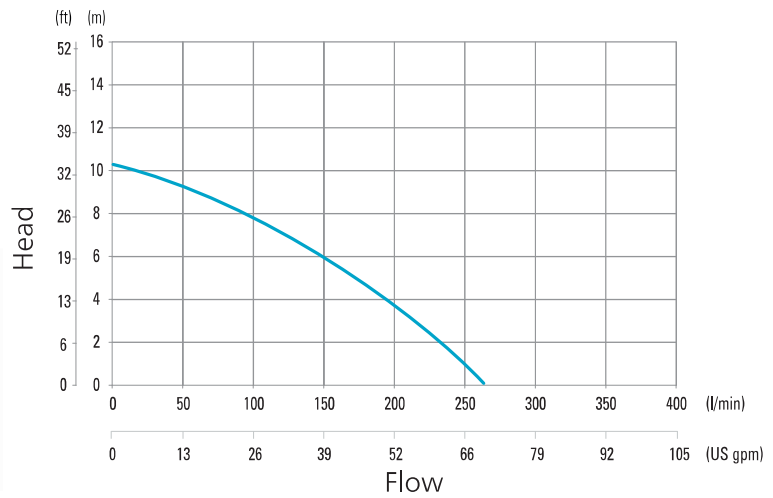
Specifications	1ph	
Rated frequency	50	Hz
Max power P1	0,65	kW
Rated power P2	0,40	kW
Discharge connection	2"	in
Max solid handling size	25	mm
Weight and dimensions		
Weight	10	kg
Height	375	mm
Width	277	mm
Diameter	241	mm

WEDA S04N (60Hz)

Sludge pumps



Performance curve



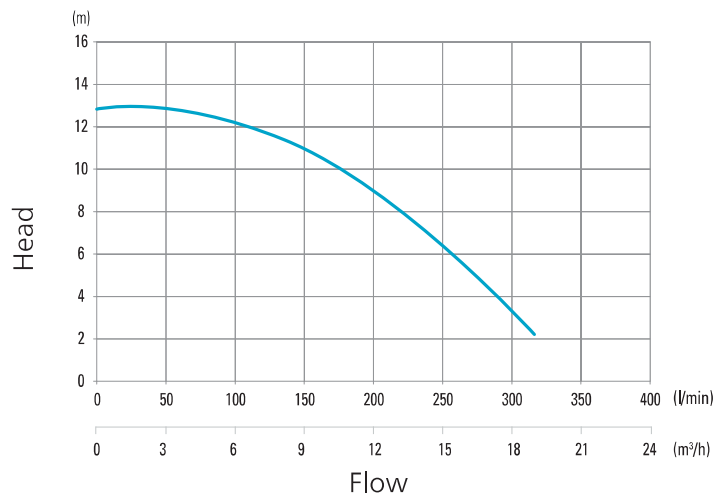
Specifications	1ph	
Rated frequency	60	Hz
Max power P1	-	kW
Rated power P2	0,5	hp
Discharge connection	2"	in
Max solid handling size	1"	in
Weight and dimensions		
Weight	22,1	lbs
Height	14,7"	in
Width	10,9"	in
Diameter	9,5"	in

WEDA S08N (50Hz)

Sludge pumps



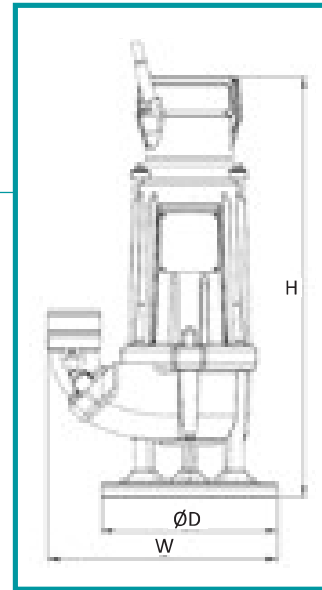
Performance curve



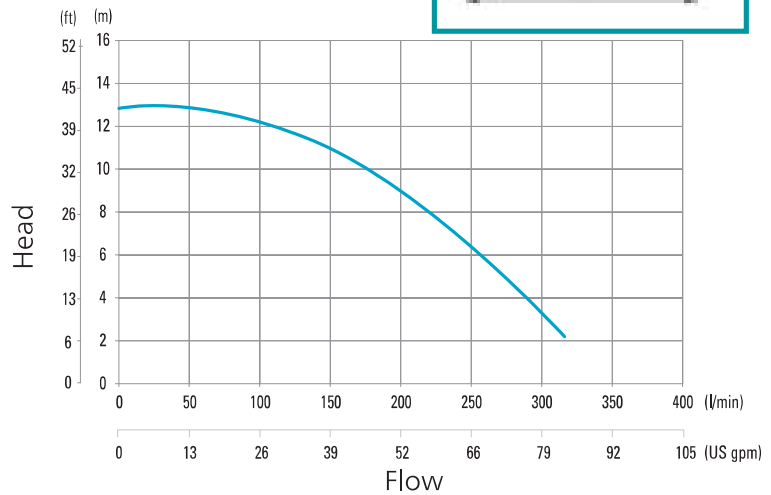
Specifications	1ph	
Rated frequency	50	Hz
Max power P1	1,2	kW
Rated power P2	0,75	kW
Discharge connection	2"	in
Max solid handling size	25	mm
Weight and dimensions		
Weight	13	kg
Height	416	mm
Width	277	mm
Diameter	241	mm

WEDA S08N (60Hz)

Sludge pumps



Performance curve



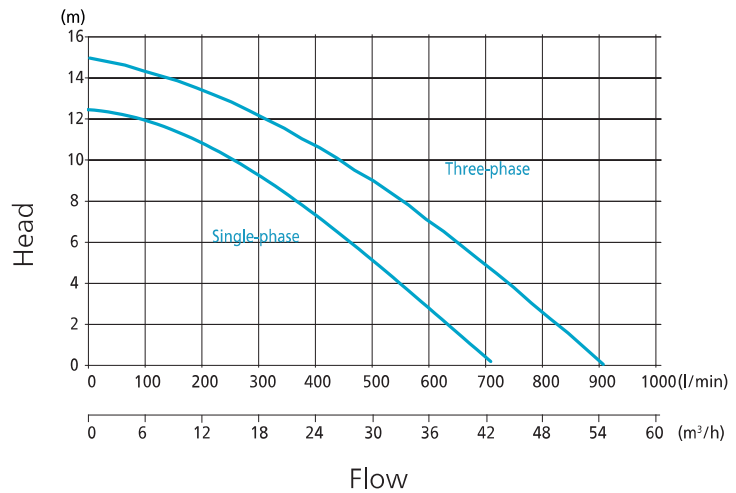
Specifications	1ph	
Rated frequency	60	Hz
Max power P1	-	kW
Rated power P2	1,0	hp
Discharge connection	2"	in
Max solid handling size	1"	in
Weight and dimensions		
Weight	28,7	lbs
Height	16,38"	in
Width	10,9"	in
Diameter	9,5"	in

WEDA S30N (50Hz)

Sludge pumps



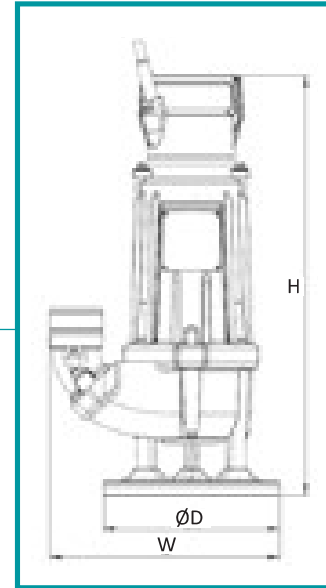
Performance curve



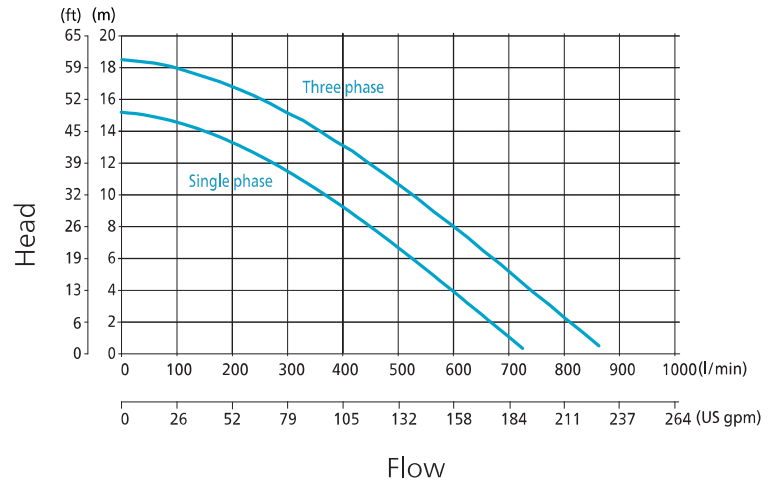
Specifications	1ph	3ph	
Rated frequency	50	50	Hz
Max power P1	2,2	3,1	kW
Rated power P2	1.8	2.5	kW
Discharge connection	3"	3"	in
Max solid handling size	50	50	mm
Weight and dimensions			
Weight	25	25	kg
Height	620	620	mm
Width	326	326	mm
Diameter	250	250	mm

WEDA S30N (60Hz)

Sludge pumps



Performance curve



Specifications	1ph	3ph	
Rated frequency	60	60	Hz
Max power P1	2,8	3,6	kW
Rated power P2	3,0	40	hp
Discharge connection	3"	3"	in
Max solid handling size	2"	2"	in
Weight and dimensions			
Weight	55	55	lbs
Height	24,3"	24,3"	in
Width	12,8"	12,8"	in
Diameter	9,8"	9,8"	in

Surface pumps

Submersible pumps

Terminology

Accessories

Parts and Service

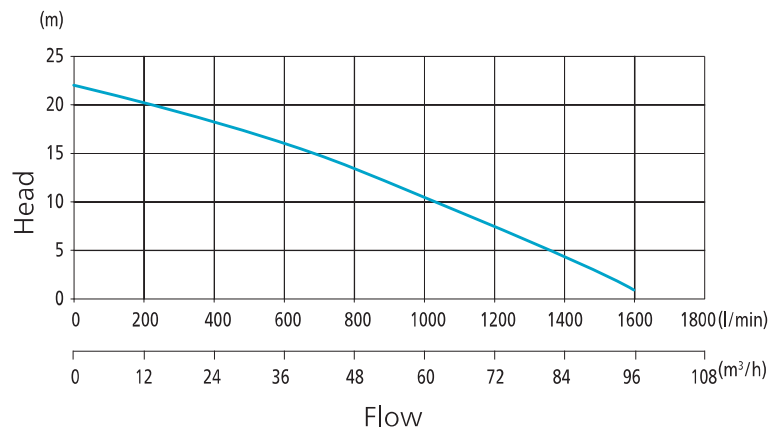
Other Information

WEDA S50N (50Hz)

Sludge pumps



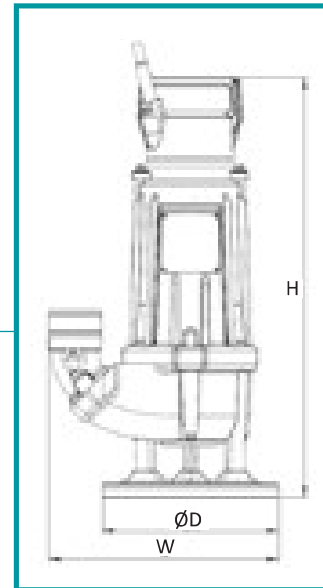
Performance curve



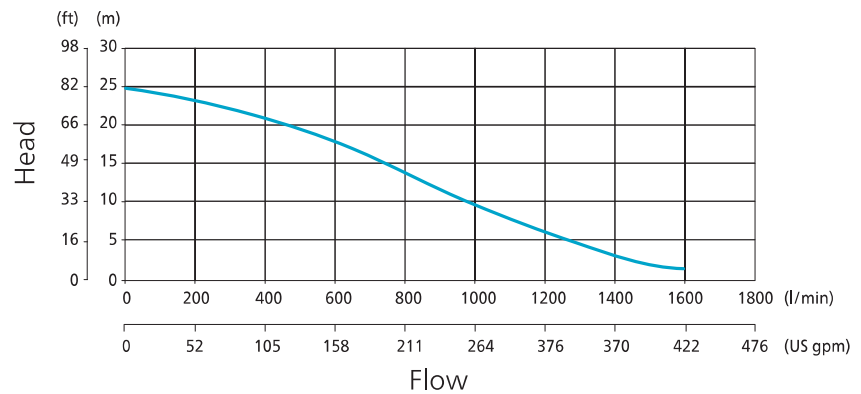
Specifications	3ph	
Rated frequency	50	Hz
Max power P1	6	kW
Rated power P2	5.2	kW
Discharge connection	3" or 4"	in
Max solid handling size	50	mm
Weight and dimensions		
Weight	59	kg
Height	810	mm
Width	450	mm
Diameter	350	mm

WEDA S50N (60Hz)

Sludge pumps



Performance curve



Specifications	3ph	
Rated frequency	60	Hz
Max power P1	6,5	kW
Rated power P2	7,5	hp
Discharge connection	3" or 4"	in
Max solid handling size	2"	in
Weight and dimensions		
Weight	130	lbs
Height	32"	in
Width	17,7"	in
Diameter	13,8"	in

Surface pumps

Submersible pumps

Terminology

Accessories

Parts and Service

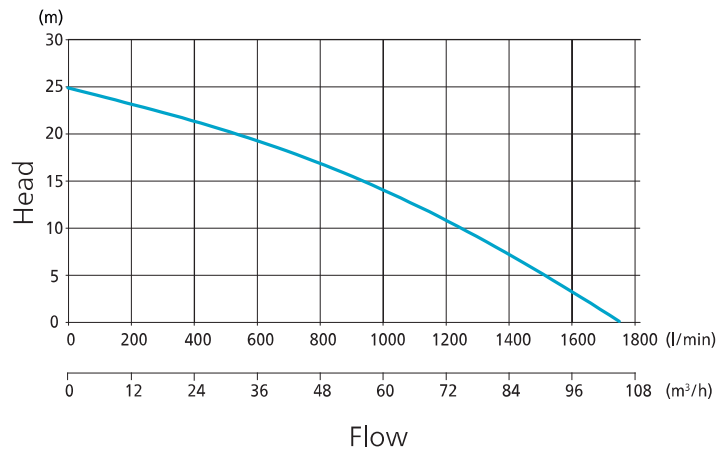
Other Information

WEDA S60N (50Hz)

Sludge pumps



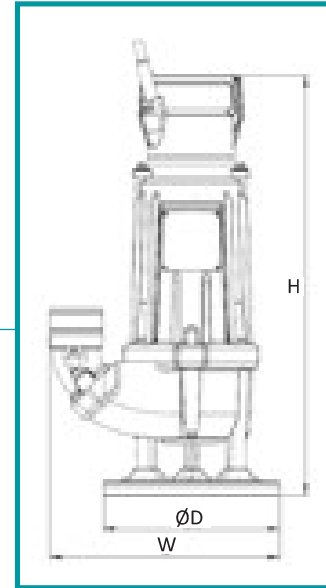
Performance curve



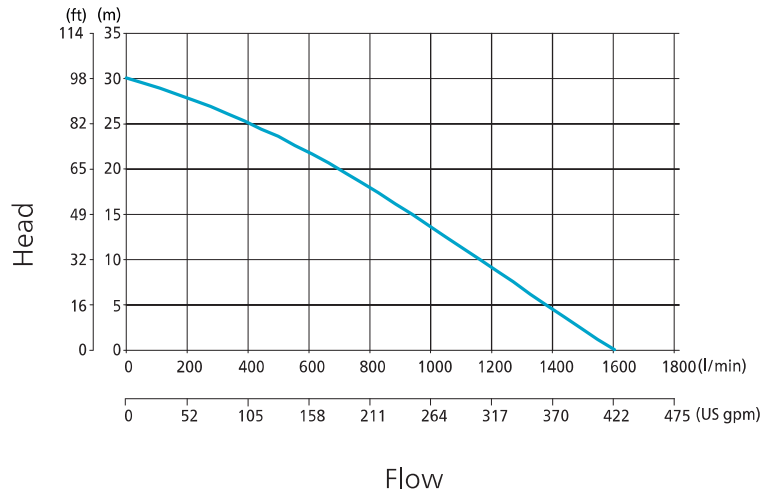
Specifications	3ph	
Rated frequency	50	Hz
Max power P1	8,0	kW
Rated power P2	6,9	kW
Discharge connection	3" (4")	in
Max solid handling size	50	mm
Weight and dimensions		
Weight	65	kg
Height	870	mm
Width	450	mm
Diameter	350	mm

WEDA S60N (60Hz)

Sludge pumps



Performance curve



Specifications	3ph	
Rated frequency	60	Hz
Max power P1	8,0	kW
Rated power P2	9,2	hp
Discharge connection	3" (4")	in
Max solid handling size	2"	in
Weight and dimensions		
Weight	143	lbs
Height	34,2"	in
Width	17,7"	in
Diameter	13,8"	in

Surface pumps

Submersible pumps

Terminology

Accessories

Parts and Service

Other Information

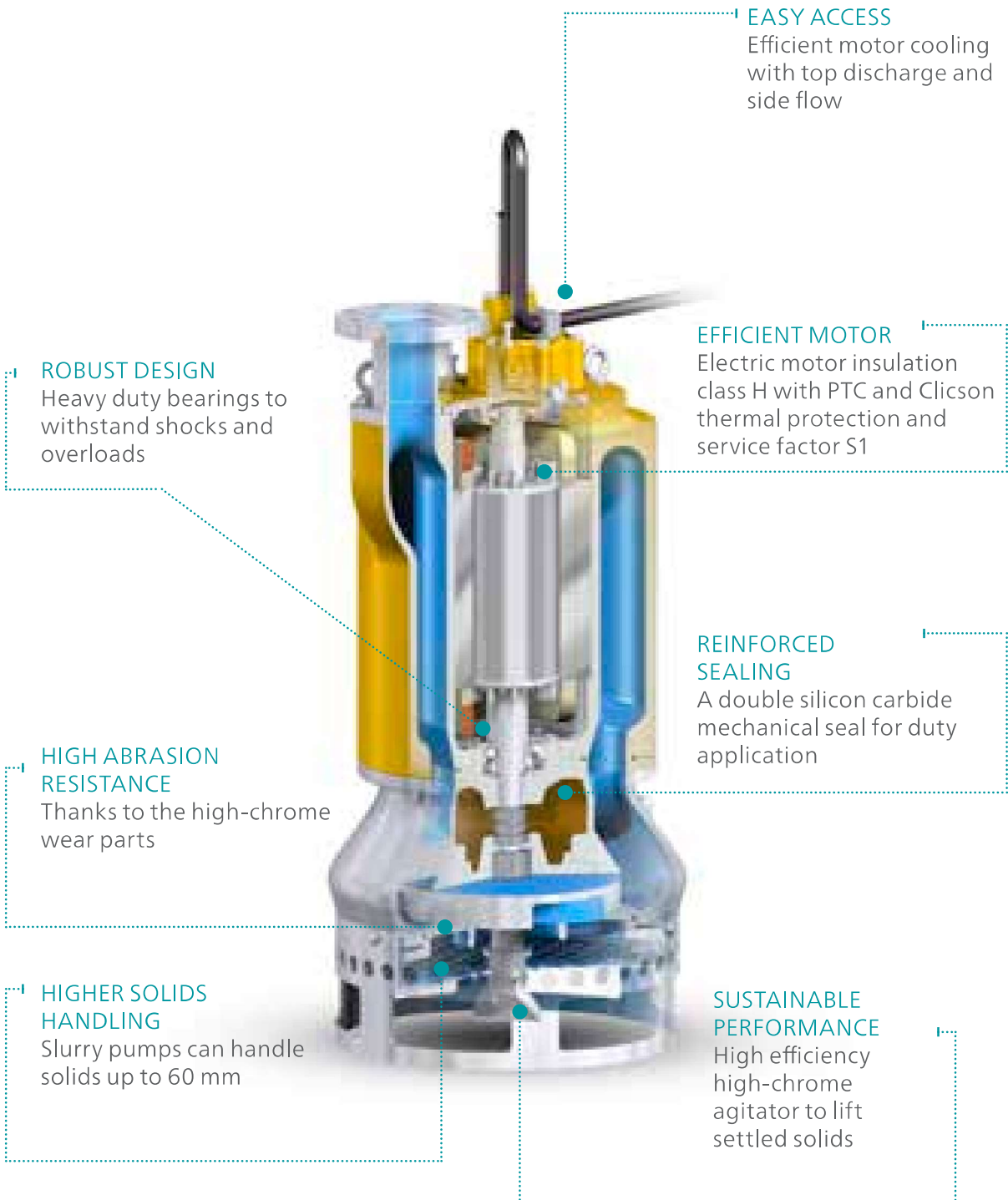
Submersible pumps

Slurry pumps (WEDA L)



WEDA slurry pumps are designed for an extensive range of dewatering applications in abrasive media with high solid content, like in quarries, mines or Dredging.



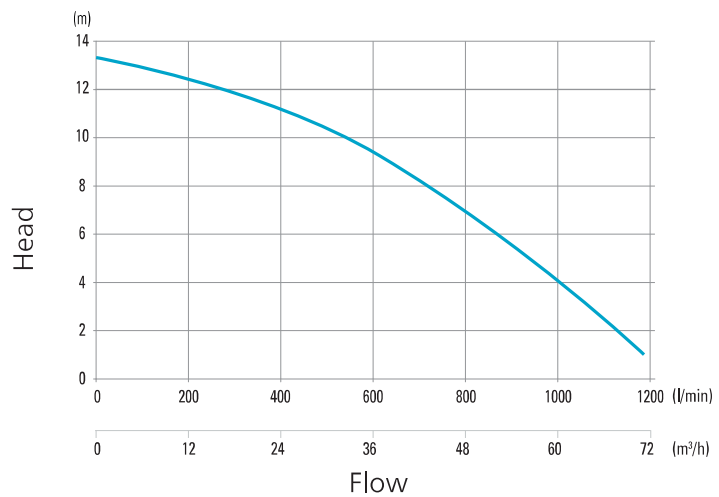


WEDA L40N (50Hz)

Slurry pumps



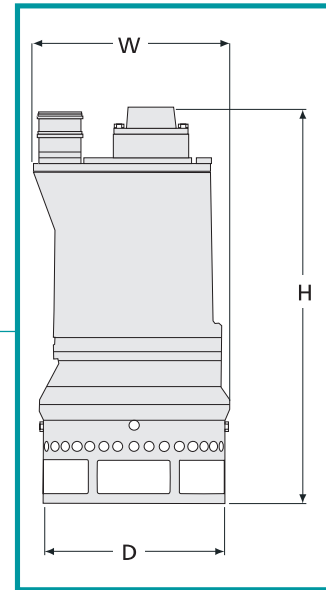
Performance curve



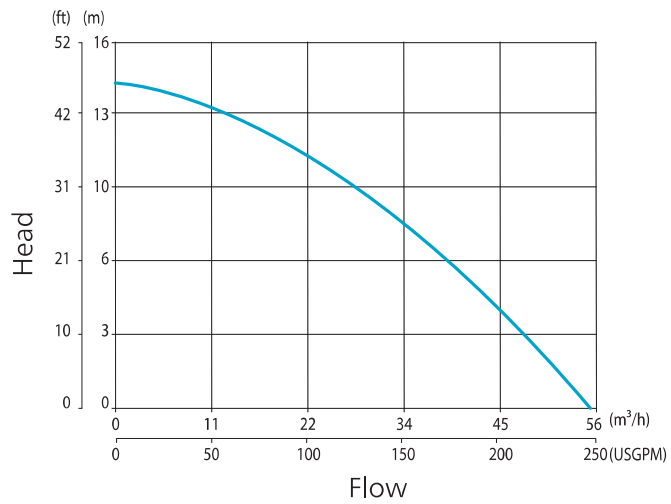
Specifications	3ph	
Rated frequency	50	Hz
Max power P1	4,5	kW
Rated power P2	3,70	kW
Discharge connection	3"	in
Max solid handling size	20	mm
Weight and dimensions		
Weight	185	kg
Height	793	mm
Width	388	mm
Diameter	337	mm

WEDA L40N (60Hz)

Slurry pumps



Performance curve



Specifications	3ph	
Rated frequency	60	Hz
Max power P1	4,5	kW
Rated power P2	4,9	hp
Discharge connection	3"	in
Max solid handling size	0,8"	in
Weight and dimensions		
Weight	408	lbs
Height	31,2"	in
Width	15,3"	in
Diameter	13,3"	in

Surface pumps

Submersible pumps

Terminology

Accessories

Parts and Service

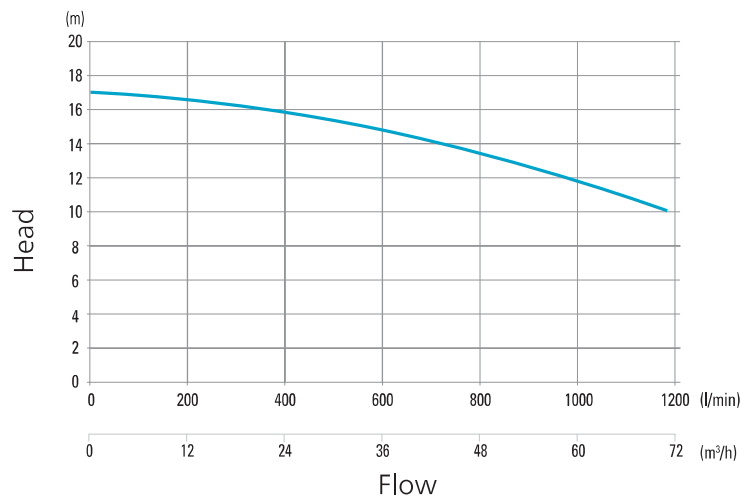
Other Information

WEDA L50N (50Hz)

Slurry pumps



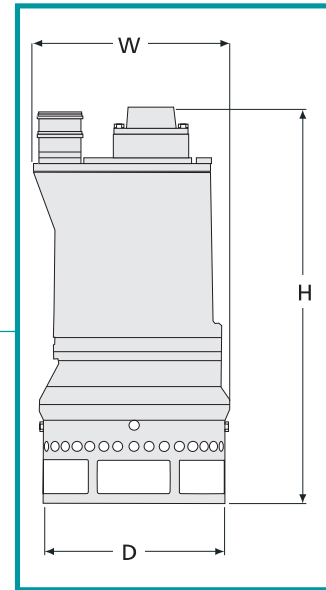
Performance curve



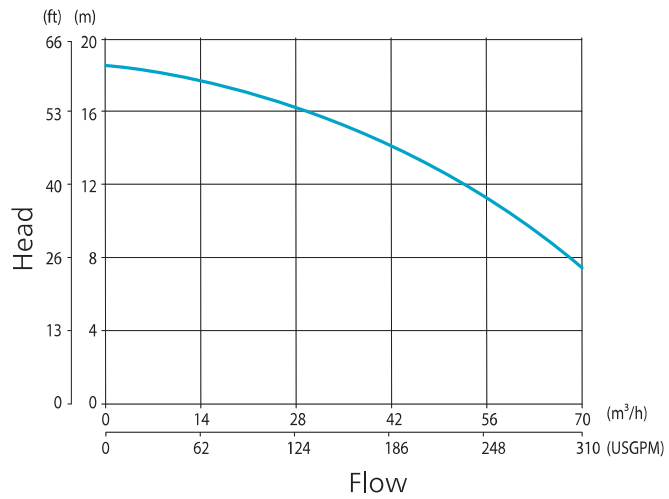
Specifications	3ph	
Rated frequency	50	Hz
Max power P1	6,8	kW
Rated power P2	5,50	kW
Discharge connection	4"	in
Max solid handling size	25	mm
Weight and dimensions		
Weight	260	kg
Height	914	mm
Width	435	mm
Diameter	413	mm

WEDA L50N (60Hz)

Slurry pumps



Performance curve



Specifications	3ph	
Rated frequency	60	Hz
Max power P1	6,8	kW
Rated power P2	7,4	hp
Discharge connection	4"	in
Max solid handling size	1,0"	in
Weight and dimensions		
Weight	573	lbs
Height	36,0"	in
Width	17,1"	in
Diameter	16,3"	in

Surface pumps

Submersible pumps

Terminology

Accessories

Parts and Service

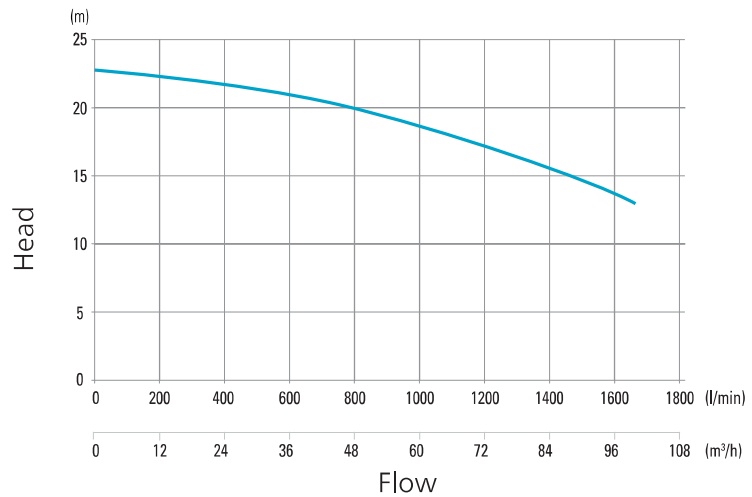
Other Information

WEDA L60N (50Hz)

Slurry pumps



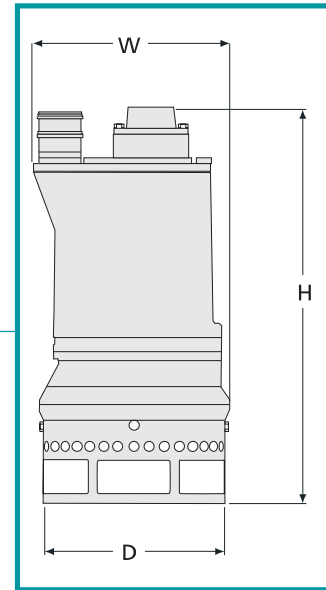
Performance curve



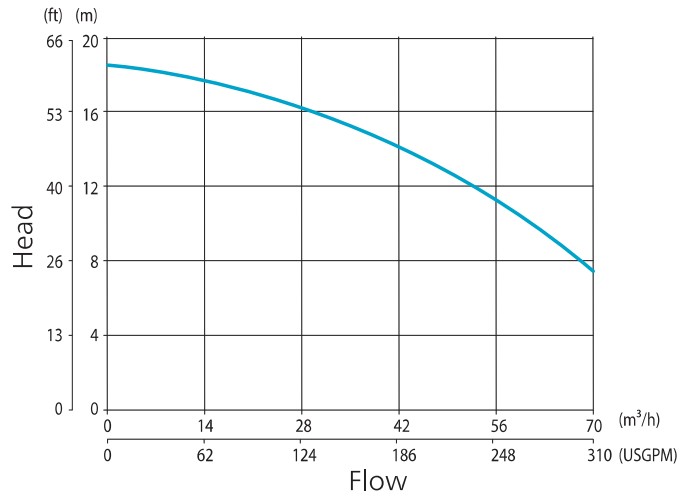
Specifications	3ph	
Rated frequency	50	Hz
Max power P1	10,4	kW
Rated power P2	9,0	kW
Discharge connection	4"	in
Max solid handling size	25	mm
Weight and dimensions		
Weight	260	kg
Height	914	mm
Width	435	mm
Diameter	413	mm

WEDA L60N (60Hz)

Slurry pumps



Performance curve



Specifications	3ph	
Rated frequency	60	Hz
Max power P1	10,4	kW
Rated power P2	12,0	hp
Discharge connection	4"	in
Max solid handling size	1,0"	in
Weight and dimensions		
Weight	573	lbs
Height	36,0"	in
Width	17,1"	in
Diameter	16,3"	in

Surface pumps

Submersible pumps

Terminology

Accessories

Parts and Service

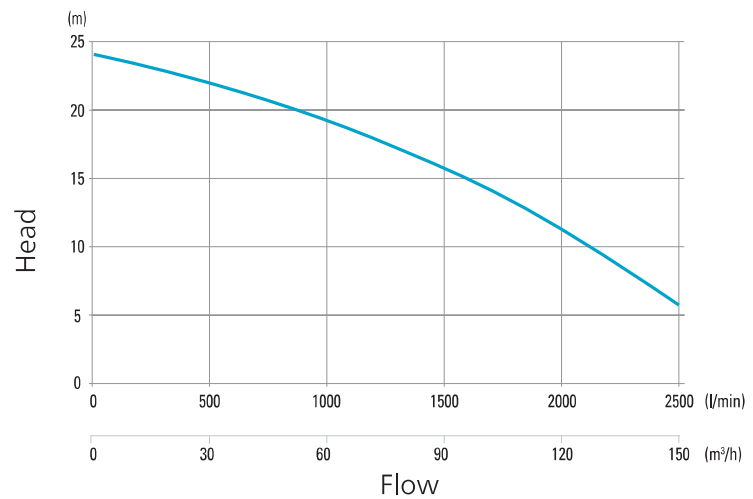
Other Information

WEDA L70N (50Hz)

Slurry pumps



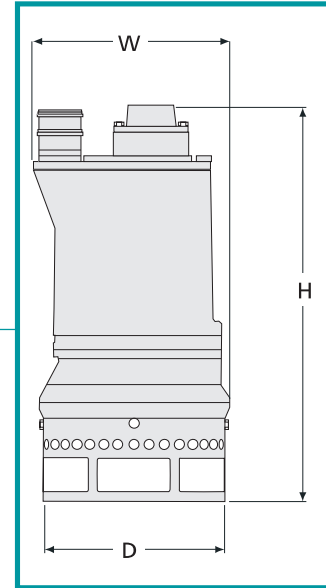
Performance curve



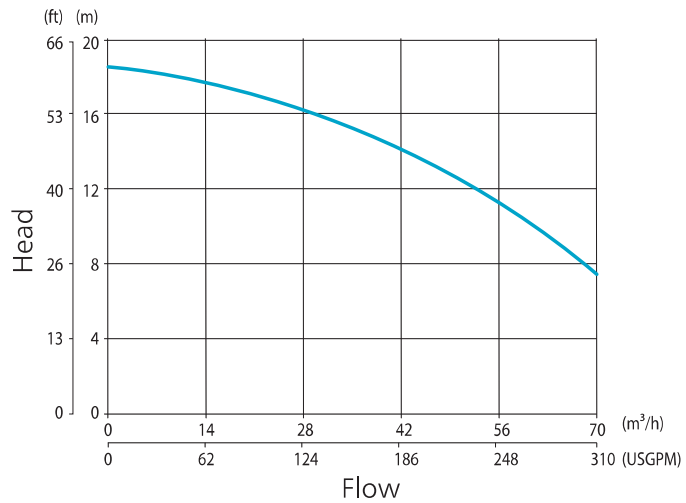
Specifications	3ph	
Rated frequency	50	Hz
Max power P1	50	kW
Rated power P2	11.0	kW
Discharge connection	4"	in
Max solid handling size	25	mm
Weight and dimensions		
Weight	270	kg
Height	914	mm
Width	435	mm
Diameter	413	mm

WEDA L70N (60Hz)

Slurry pumps



Performance curve



Specifications	3ph	
Rated frequency	60	Hz
Max power P1	12,8	kW
Rated power P2	14,8	hp
Discharge connection	4"	in
Max solid handling size	1,0"	in
Weight and dimensions		
Weight	596	lbs
Height	36,0"	in
Width	17,1"	in
Diameter	16,3"	in

Surface pumps

Submersible pumps

Terminology

Accessories

Parts and Service

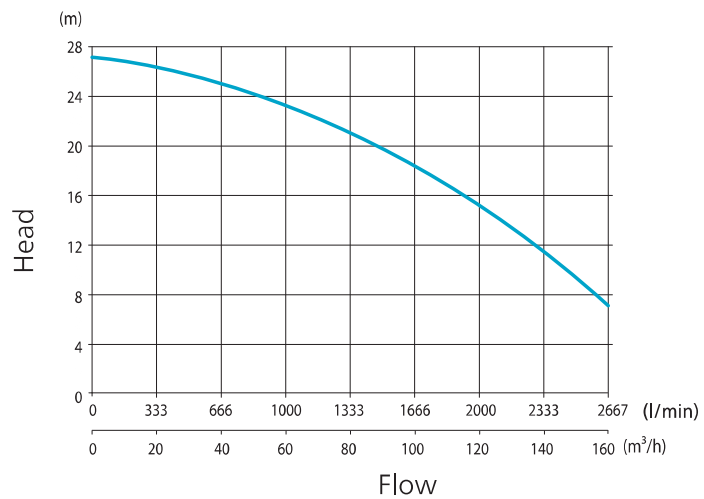
Other Information

WEDA L80N (50Hz)

Slurry pumps



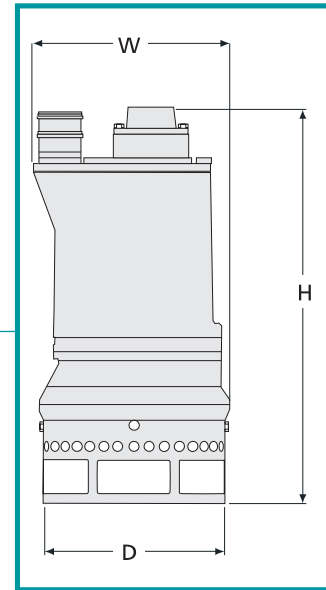
Performance curve



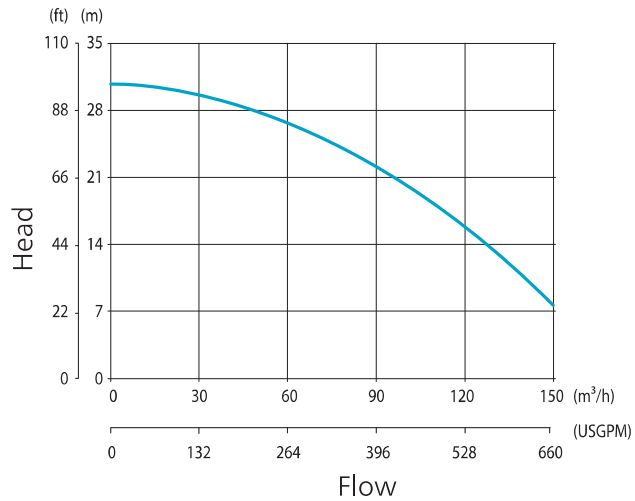
Specifications	3ph	
Rated frequency	50	Hz
Max power P1	16,1	kW
Rated power P2	15,0	kW
Discharge connection	4"	in
Max solid handling size	25	mm
Weight and dimensions		
Weight	310	kg
Height	1080	mm
Width	580	mm
Diameter	495	mm

WEDA L80N (60Hz)

Slurry pumps



Performance curve



Specifications	3ph	
Rated frequency	60	Hz
Max power P1	16,1	kW
Rated power P2	20,2	hp
Discharge connection	4"	in
Max solid handling size	1,0"	in
Weight and dimensions		
Weight	684	lbs
Height	43,0"	in
Width	22,9"	in
Diameter	19,5"	in

Surface pumps

Submersible pumps

Terminology

Accessories

Parts and Service

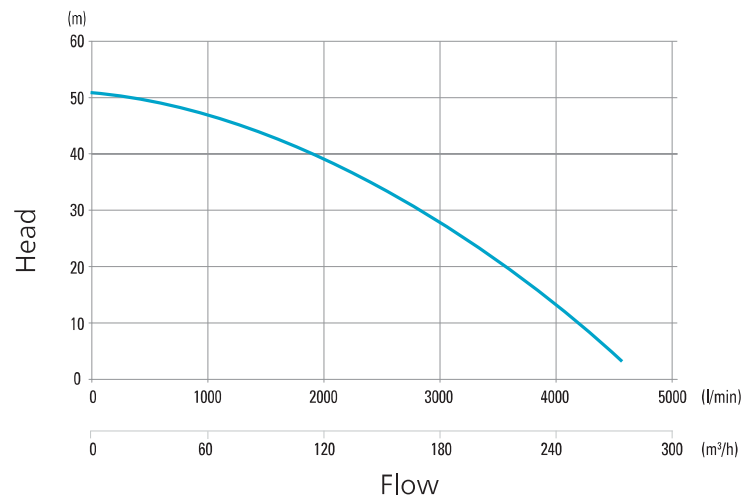
Other Information

WEDA L95N (50Hz)

Slurry pumps



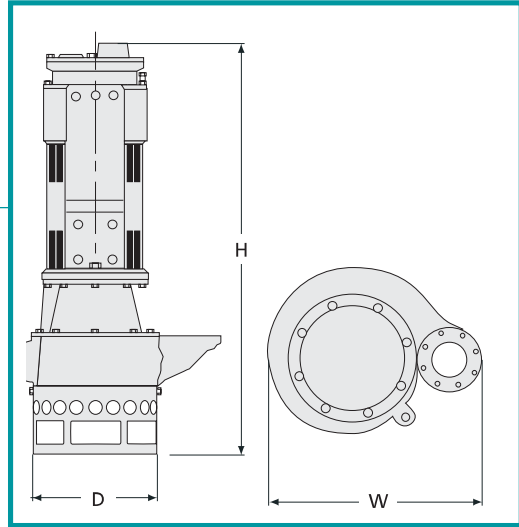
Performance curve



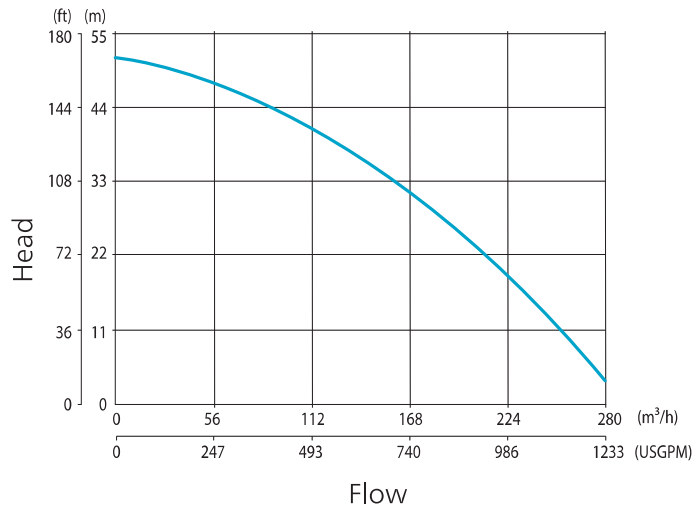
Specifications	3ph	
Rated frequency	50	Hz
Max power P1	40,1	kW
Rated power P2	37	kW
Discharge connection	4"	in
Max solid handling size	35	mm
Weight and dimensions		
Weight	750	kg
Height	1605	mm
Width	935	mm
Diameter	546	mm

WEDA L95N (60Hz)

Slurry pumps



Performance curve



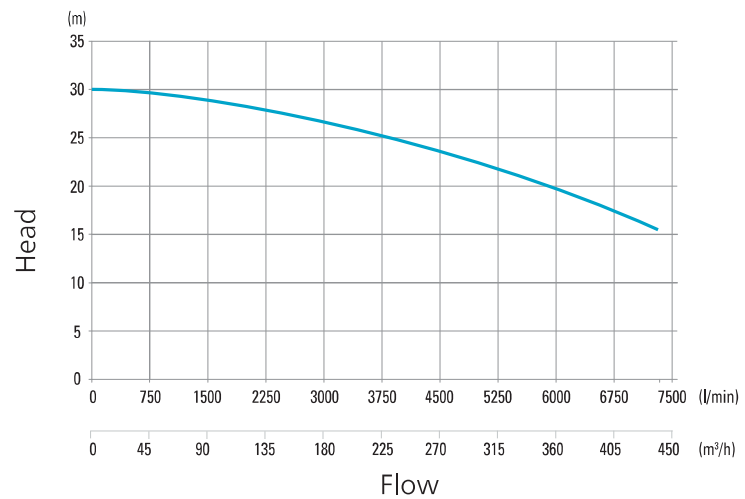
Specifications	3ph	
Rated frequency	60	Hz
Max power P1	40,1	kW
Rated power P2	49,7	hp
Discharge connection	4"	in
Max solid handling size	1,4"	in
Weight and dimensions		
Weight	1654	lbs
Height	63,2"	in
Width	36,9"	in
Diameter	21,5"	in

WEDA L100N (50Hz)

Slurry pumps



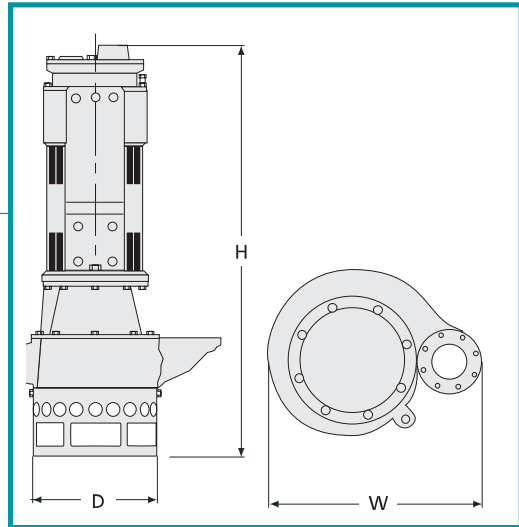
Performance curve



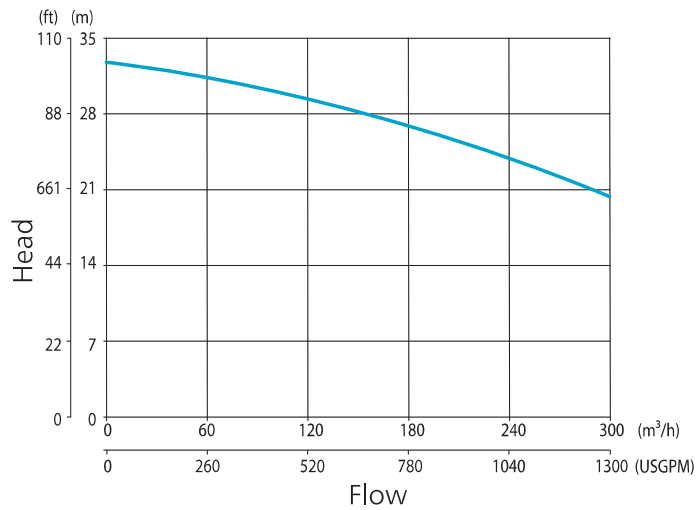
Specifications	3ph	
Rated frequency	50	Hz
Max power P1	48,8	kW
Rated power P2	45	kW
Discharge connection	6"	in
Max solid handling size	60	mm
Weight and dimensions		
Weight	1005	kg
Height	1605	mm
Width	935	mm
Diameter	546	mm

WEDA L100N (60Hz)

Slurry pumps



Performance curve



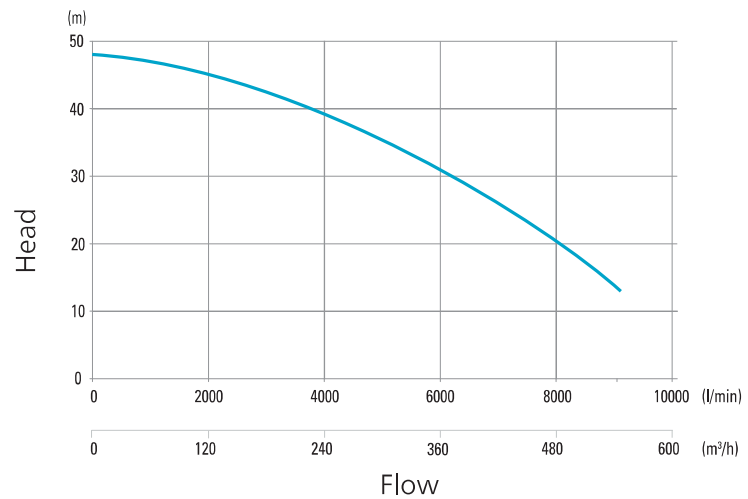
Specifications	3ph	
Rated frequency	60	Hz
Max power P1	48,8	kW
Rated power P2	60,4	hp
Discharge connection	6"	in
Max solid handling size	2,4"	in
Weight and dimensions		
Weight	2216	lbs
Height	63,2"	in
Width	36,9"	in
Diameter	21,5"	in

WEDA L110N (50Hz)

Slurry pumps



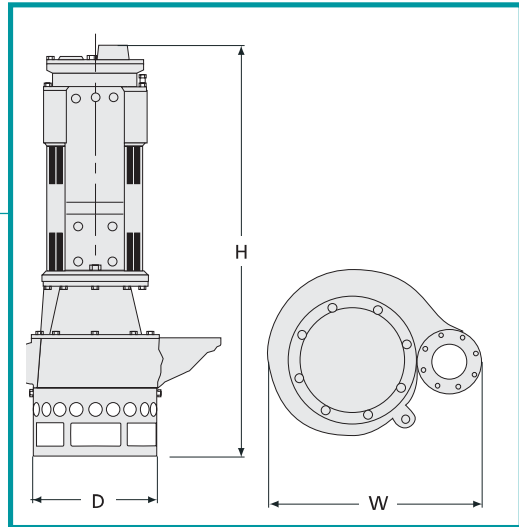
Performance curve



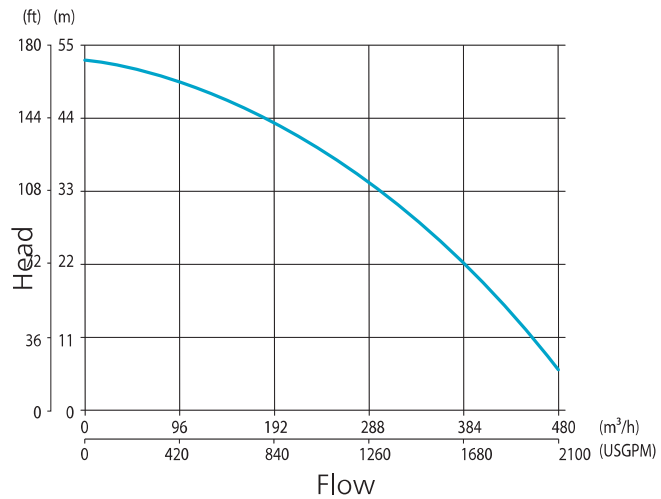
Specifications	3ph	
Rated frequency	50	Hz
Max power P1	79,9	kW
Rated power P2	75	kW
Discharge connection	6"	in
Max solid handling size	60	mm
Weight and dimensions		
Weight	1070	kg
Height	1605	mm
Width	935	mm
Diameter	546	mm

WEDA L110N (60Hz)

Slurry pumps



Performance curve

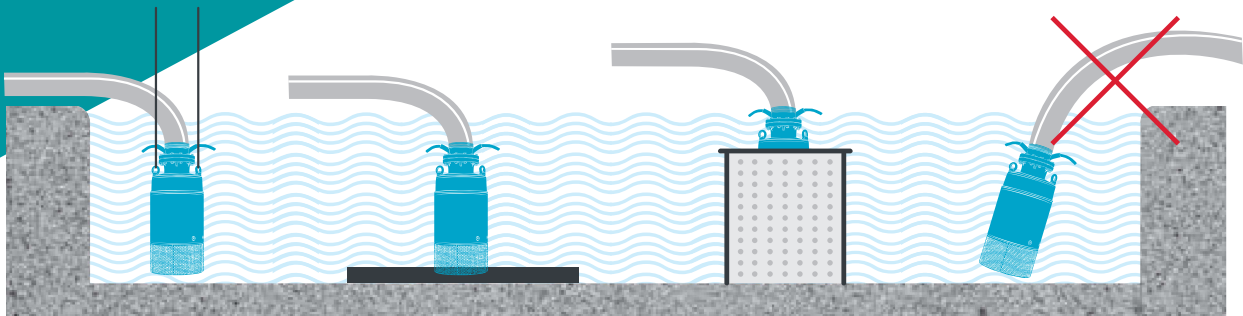


Specifications	3ph	
Rated frequency	60	Hz
Max power P1	79,9	kW
Rated power P2	100,6	hp
Discharge connection	6"	in
Max solid handling size	2.4"	in
Weight and dimensions		
Weight	2359	lbs
Height	63,2"	in
Width	36,9"	in
Diameter	21,5"	in

Submersible pumps

Other information

Installing a submersible pump



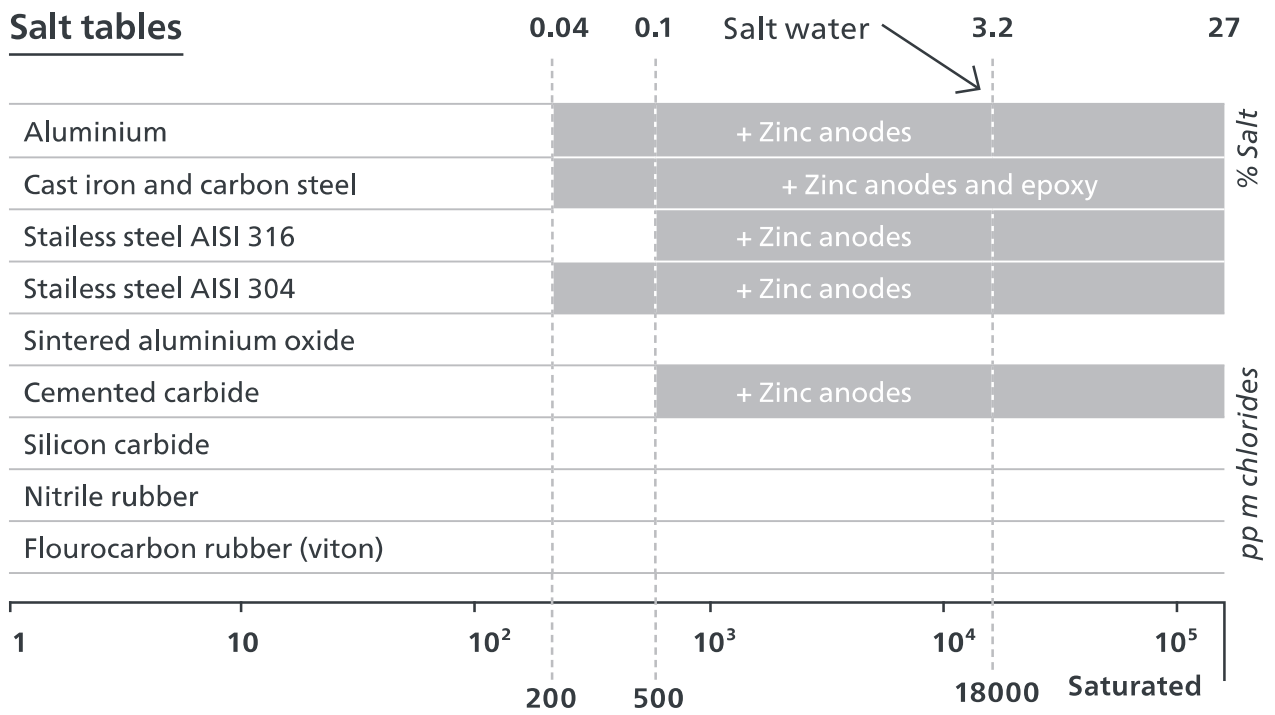
Hanging by rope
(Not by electric cable)

Seated on platform

Separated by strainer

Sunk

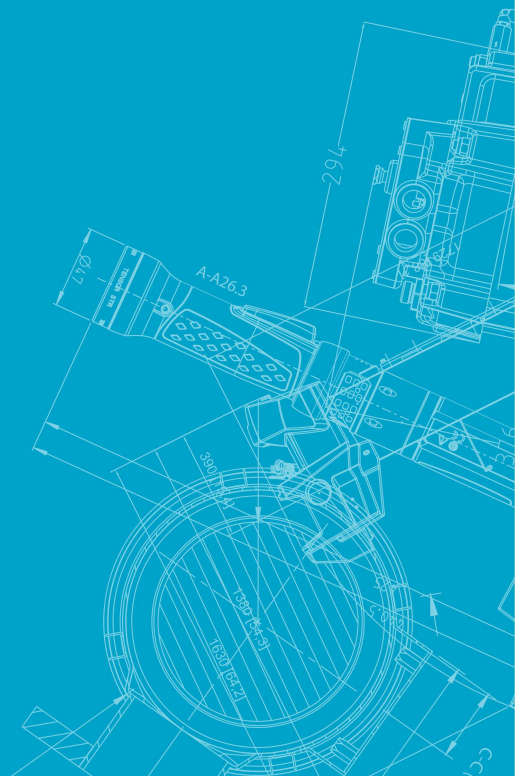
Salt tables







Atlas Copco AB
atlascopco.com



2958 2010 00 – EN © Atlas Copco Power and Flow division. 2019