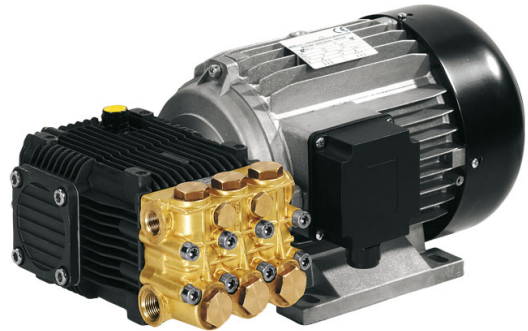
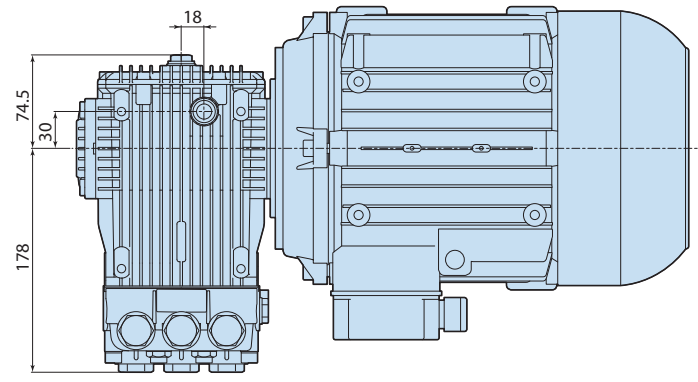
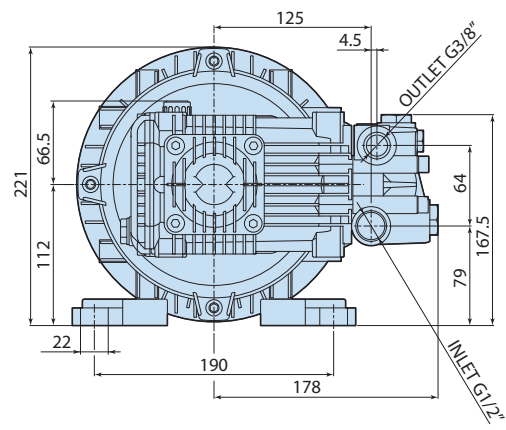
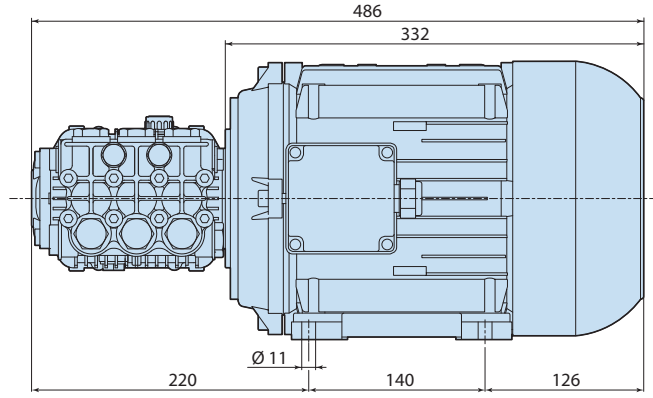


Description

Triplex pump with connecting rod system.
 One-piece ceramic pistons.
 Double gasket sealing system.
 Pump head in pressed brass.
 Induction electric motor.



Details	Value
Category	Electric motor-pump units
Series	228 - HRK
Pump type	HRK 15.15
Versioning	ET
ARCode	20861
Output (lt/min)	15
Output (gpm)	3.96
Pressure (bar)	150
Pressure (psi)	2200
Power (hp)	5,5
Power (kw)	4
RPM	1450
Weight (kg)	32



2288501