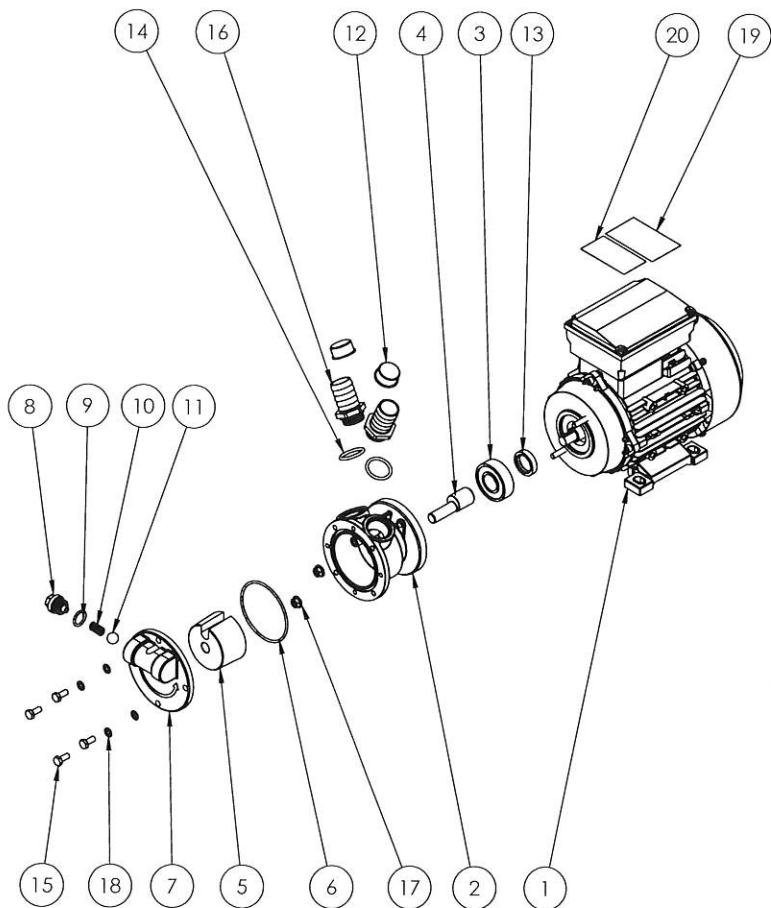


E 220 / E 115



	CODE	DESCRIPTION	QTY
1	230101000000	MOTOR E-220/35	1
2	62503000000	ALUMIN BODY	1
3	101001880000	BALL BEARING 6204 2RS	1
4	62900500000	BRASS SHAFT Ø20	1
5	63000500000	CONICAL DRUM	1
6	11010500400	O-Ring 3281 NBR	1
7	6151000000X	PLASTIC CAP	1
8	60330000000	BYPASS CAP M18x15	1
9	11010090400	O-Ring 119 NBR	1
10	33421124173	INOX BYPASS SPRING	1

	CODE	DESCRIPTION	QTY
11	92020300000	BYPASS SPHERE	1
12	163013300000	PROTECTION CAP Ø25	2
13	12001019000	MOTOR SHAFT SEAL	1
14	11010264600	O-Ring 25x3 NBR	2
15	80232320100	SCREW TE M6x14 ISO 4014	4
16	TUB009	RUBBER HOLDER 3/4"X25	2
17	71000112	FLANGED NUT M6 ISO 4161	2
18	83702300000	INDENTED WASHER Ø6	4
19	71000653	LABEL "DANGER"	1
20	LOGO CE	LABEL "CE"	1